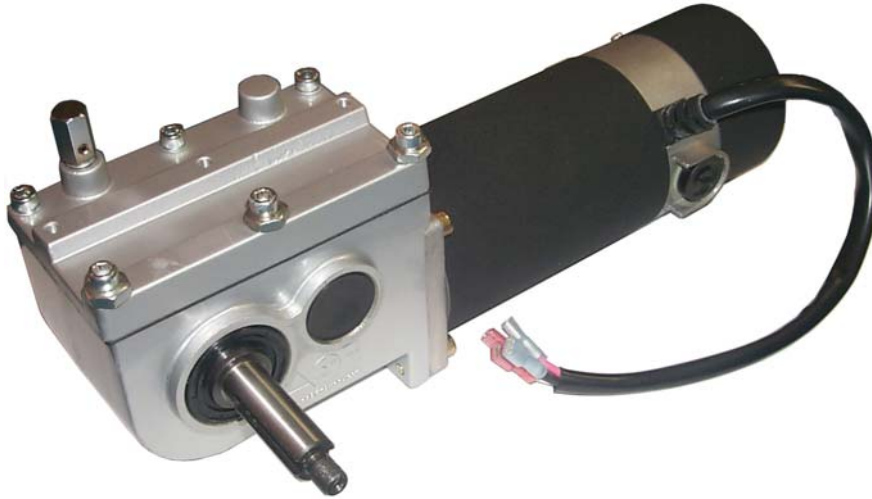


# ASI Technologies, Inc.

## ADL 100 SERIES

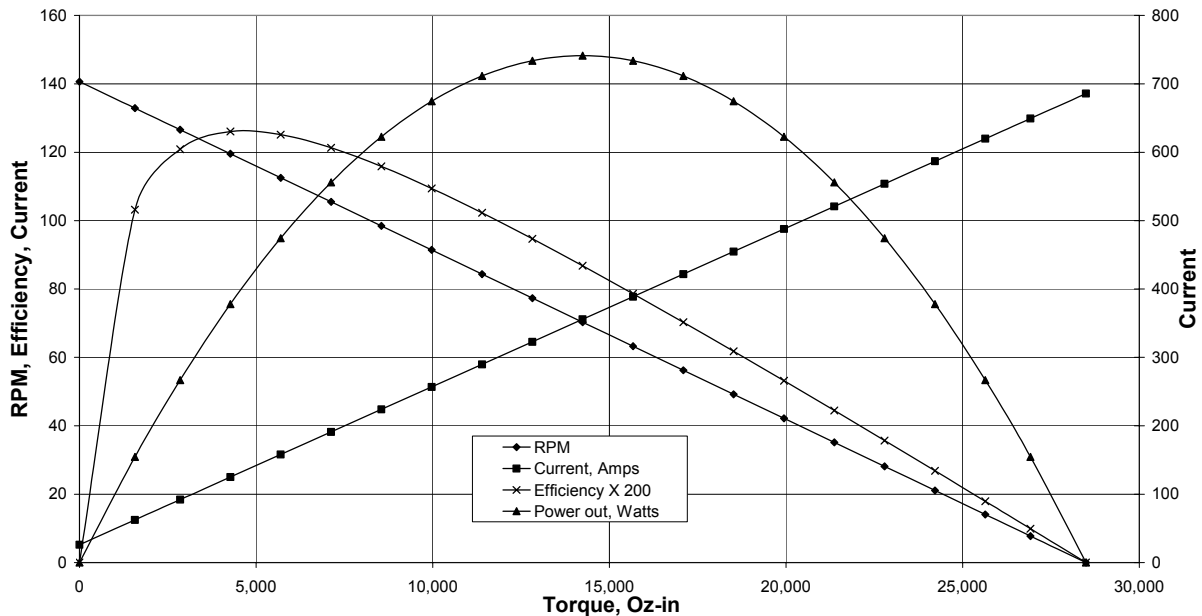
### RIGHT ANGLE GEAR DRIVE SYSTEMS



The ADL 100 series right angle drive is a low cost, quiet, qualified design utilizing a precision worm and worm wheel with a spur gear output pass. Motor, electro-magnetic brake, cog release, wiring and connector are part of this easy-to-install drive system. Detailed on this sheet are standard units. Other motors, voltages and ratios are available. Please contact the factory for more information.

10738-2 Motor with 32.0:1 ratio

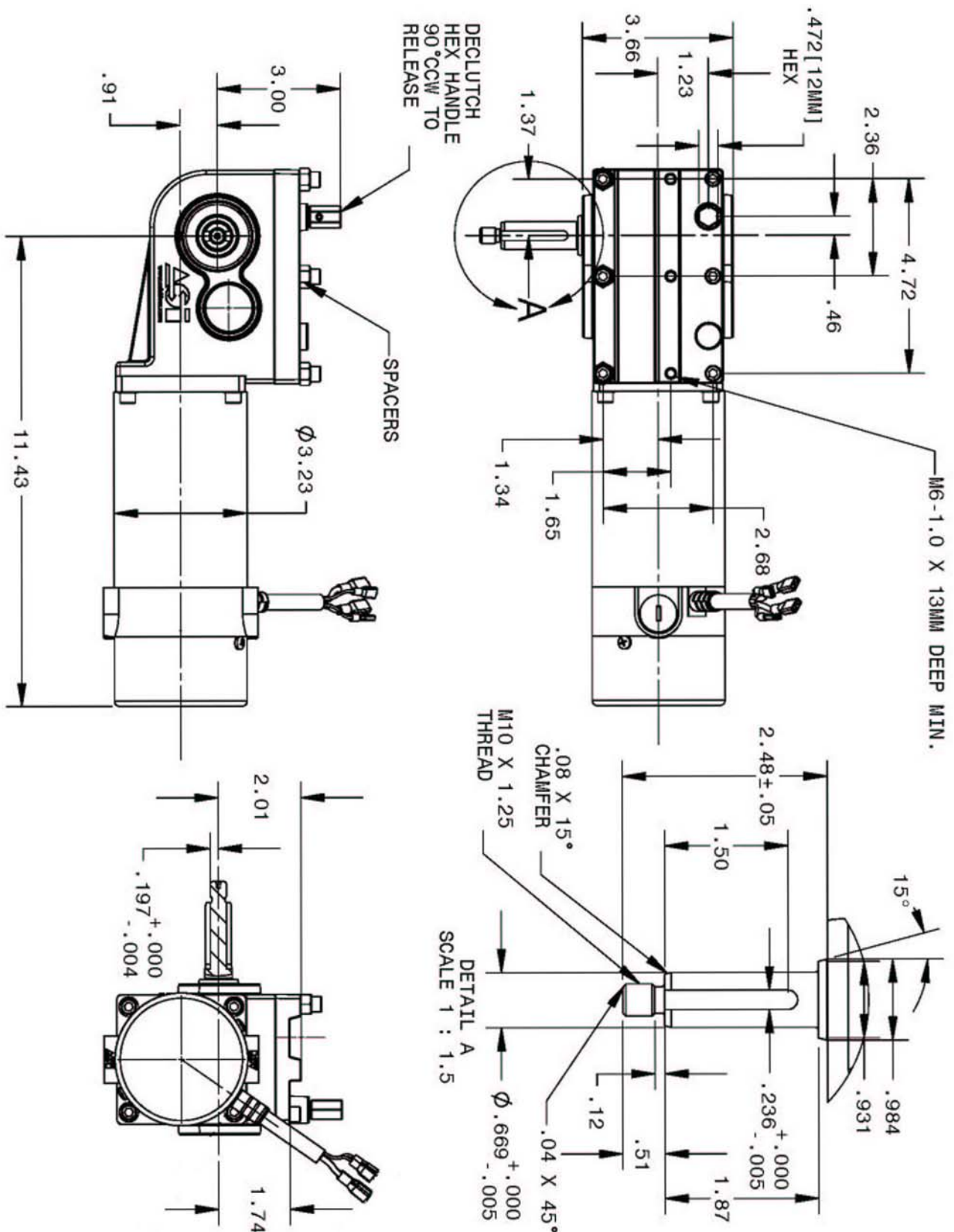
Design Data							Performance Data			
Voltage	NLS	Armature Resistance	NL Current	Ratio	Kv	Kt	@ No Load	@ Peak Efficiency	@ Peak Power out	@ Stall
Volts	rpm	ohms	Amps		volts/Krpm	oz-in/A	Torque (oz-in)	RPM	Current	Power out, Watts
24	4500	0.175	5.2	32.0	5.333	7.213	0	141	5.2	0
							2849	127	18.4	267
							14244	70	71.2	741
							28488	0	137.1	0
							124.8	441	1708	3291
							0%	60%	43%	0%



Representative performance Example shown – Consult factory for other performance.



**ASI Technologies** 209 Progress Dr., Montgomeryville PA 18936 USA  
[www.asidrives.com](http://www.asidrives.com) +1.215.661.1002 fax +1.215.661.1009



TOLERANCE/FINISH UNLESS OTHERWISE SPECIFIED			
INCHES [MM]		125√RMS [RA3.2um]	ANGLES
.X	.XX	.XXX	
±.050 [±.25]	±.010 [±.13]	±.005	±1/2°
ALL THREADS CLASS 2 [6G] FIT BREAK ALL EDGES .01/.02 [.25/.50] X 45°			
THIRD ANGLE PROJECTION			
DRAWN BY/DATE	APP'D BY/DATE		
C.T.	4/07/04		

**ASI TECHNOLOGIES, INC.**

209 Progress Drive  
Montgomeryville, PA 18936  
USA

**ASI** www.asidrives.com

THIS DOCUMENT, THE PROPERTY OF ASI, IS LOANED SUBJECT TO RETURN UPON DEMAND, AND INCLUDES CONFIDENTIAL & PROPRIETARY INFORMATION WHICH MAY NOT BE DISCLOSED TO ANY THIRD PARTY OR USED FOR ANY PURPOSE CONTRARY TO IT'S INTENDED USE WITHOUT THE EXPRESSION WRITTEN CONSENT OF ASI.

TITLE		
RIGHT ANGLE DRIVE		
24 VOLT SYSTEM		
USED ON:		
SIZE	DRAWING NUMBER	REV
B	ADL -2100	
SCALE 1:3	SHEET 1 OF 1	