

# LIGHTNING 200

Right Angle Wheel Drive



Material  
Handling



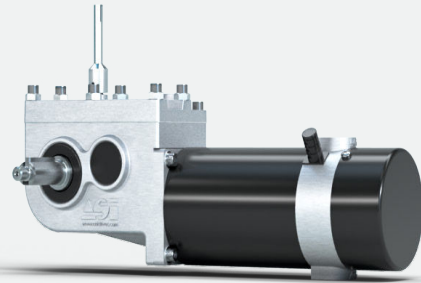
Mobile Robots  
& AGVs



Medical  
Mobility



Floor  
Care



## FEATURES

**Motors:** Permanent magnet DC 2-pole, 3.23 in [82 mm] diameter, and 4-pole, 3.98 in [101 mm] diameter, brushless DC option available

**Reduction ratio:** 32:1

**Optional components:** Electromagnetic power-off brake, encoders, connectors, brake cover, IP67 conformity

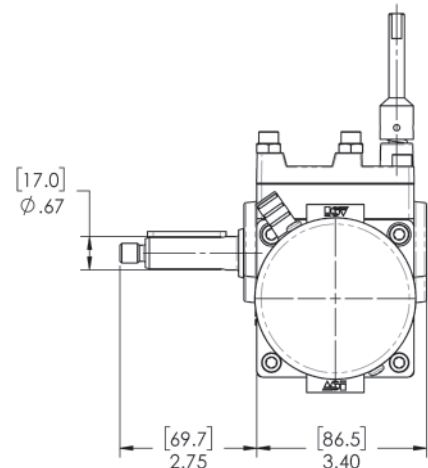
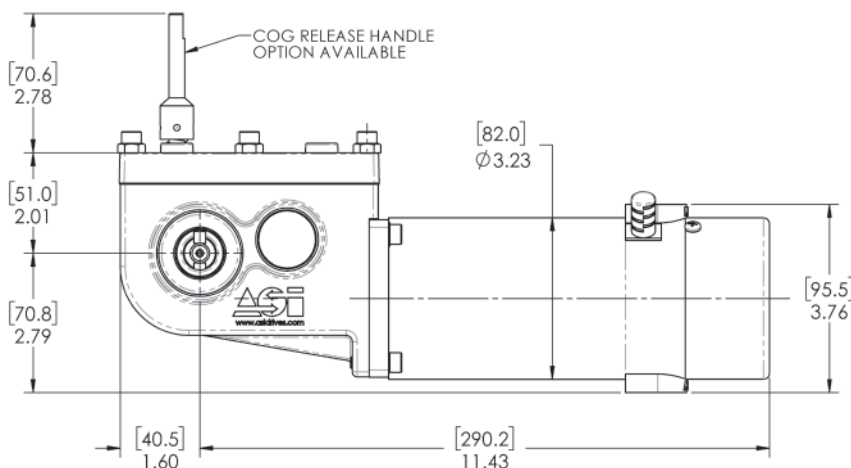
**Encoder options available:** Digital position and motion information

**Voltage:** 12V to 36V DC

## PERFORMANCE EXAMPLES

High Speed			
	No Load	Peak Efficiency	Peak Power
Torque, Nm	0	15	73
Speed, rpm	141	127	70
Current, Amps	1.5	15.1	69.3
Power Out, Watts	0	193	535
Power In, Watts	36	361	1663
Efficiency, %	0	53	32

High Torque			
	No Load	Peak Efficiency	Peak Power
Torque, Nm	0	31	103
Speed, rpm	49	42	24
Current, Amps	2.0	12.2	35.9
Power Out, Watts	0	135	264
Power In, Watts	48	292	861
Efficiency, %	0	46	31

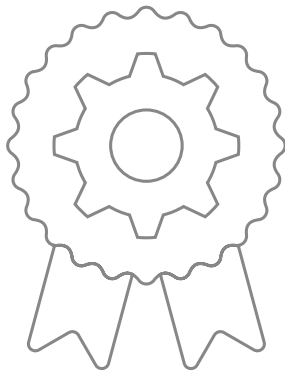




RESULTS.  
DRIVEN.

Lasting solutions to drive your machines. More than industrial designers and engineers, we're a team of passionate problem solvers. ASI Drives: Gear drive systems for battery powered machines up to one ton.

# OUR CUSTOMERS HAVE BEEN WITH US FOR OVER **15 YEARS ON AVERAGE BECAUSE OF OUR:**



## DEEP EXPERTISE:

Creating over 740 tailored engineered solutions

Offering cost sensitive designs with manufacturing efficiencies

A history of innovation recognized with 7 awarded patents

In-house gear manufacturing offers supply chain predictability

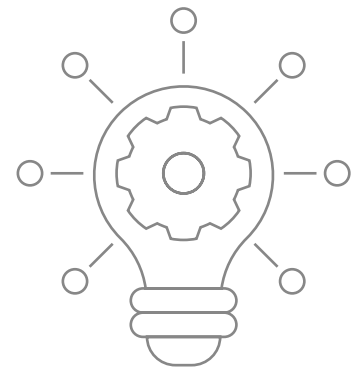


## OUR 40-YEAR COMMITMENT:

Excellent customer service

"Best in class" partnership with OEM industry leaders

Our entrepreneurial size ensures personal executive level accountability and responsiveness



## DEEP INDUSTRY KNOWLEDGE & FOCUS:

Insights and solutions to your specific challenges & opportunities

We know your competitive landscape

**EXPERIENCE THE DIFFERENCE OUR DEDICATION TO INNOVATION, QUALITY AND SERVICE MAKES.**

Contact us at [sales@asidrives.com](mailto:sales@asidrives.com) to explore how we can quickly solve your most pressing challenges.

