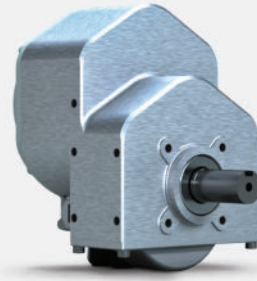


# STORM 400

Brushless Wheel Drive



Mobile  
Robots  
& AGVs



Floor  
Care



Material  
Handling



Outdoor Power  
Equipment

## FEATURES

**Sealed drive system:** Rugged, usable outdoors

**Optional components:** Electromagnetic power-off brake, connectors, brake cover, IP67 conformity

**Encoder options available:** Input and output encoders available

**Voltage:** 24V DC

**Motor:** Brushless DC

**Lead exit:** 3 location options

**Axle material:** Stainless steel or hardened carbon steel

**Axle diameter:** Up to .79in [20 mm]

**Gear set:** Single-stage helical

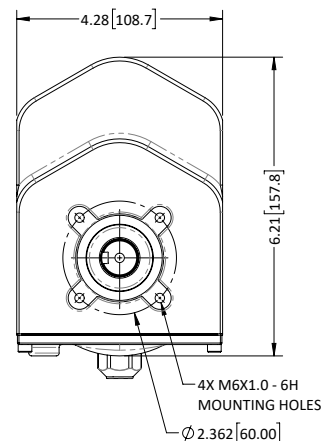
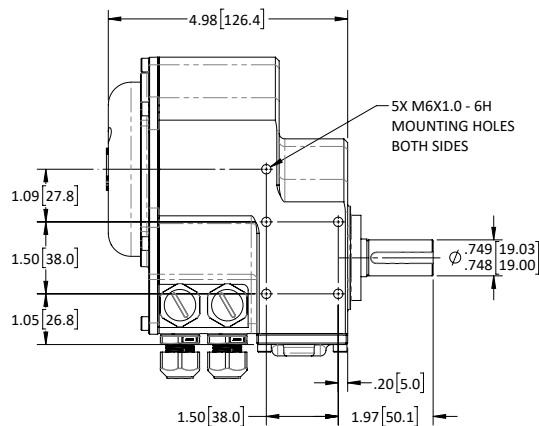
**Reduction ratio:** 12.2:1 or 25.3:1

**Brake options available:** 6 Nm, release lever

## PERFORMANCE EXAMPLES

	High Torque		
	No Load	Peak Efficiency	Peak Power
Torque, Nm	0	25	95
Speed, rpm	119	104	60
Current, Amps	2.4	16.0	54.5
Power Out, Watts	0	270	596
Power In, Watts	58	384	1308
Efficiency, %	0	70	46

	High Speed		
	No Load	Peak Efficiency	Peak Power
Torque, Nm	0	12	46
Speed, rpm	248	216	124
Current, Amps	2.4	16.0	54.5
Power Out, Watts	0	271	599
Power In, Watts	58	384	1308
Efficiency, %	0	71	46

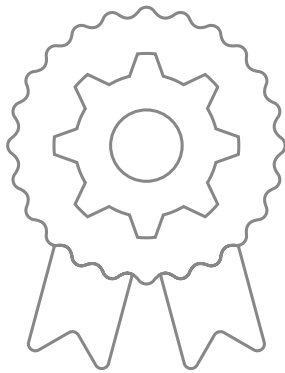




RESULTS.  
DRIVEN.

Lasting solutions to drive your machines. More than industrial designers and engineers, we're a team of passionate problem solvers. ASI Drives: Gear drive systems for battery powered machines up to one ton.

# OUR CUSTOMERS HAVE BEEN WITH US FOR OVER **15 YEARS ON AVERAGE BECAUSE OF OUR:**



## DEEP EXPERTISE:

Creating over 740 tailored engineered solutions

Offering cost sensitive designs with manufacturing efficiencies

A history of innovation recognized with 7 awarded patents

In-house gear manufacturing offers supply chain predictability

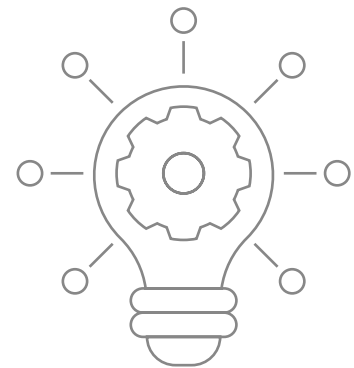


## OUR 40-YEAR COMMITMENT:

Excellent customer service

"Best in class" partnership with OEM industry leaders

Our entrepreneurial size ensures personal executive level accountability and responsiveness



## DEEP INDUSTRY KNOWLEDGE & FOCUS:

Insights and solutions to your specific challenges & opportunities

We know your competitive landscape

**EXPERIENCE THE DIFFERENCE OUR DEDICATION TO INNOVATION, QUALITY AND SERVICE MAKES.**

Contact us at [sales@asidrives.com](mailto:sales@asidrives.com) to explore how we can quickly solve your most pressing challenges.

