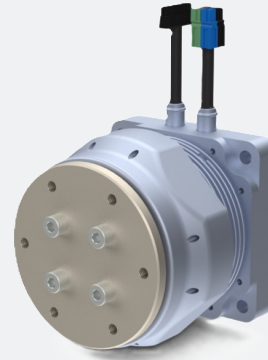


STORM 300

Brushless Wheel Hub Drive



Mobile Robots
& AGVs



Floor
Care



Material
Handling



Outdoor Power
Equipment

FEATURES

Sealed drive system: Rugged, compact, designed for outdoor use (IP67 Conformity), dual encoders for safety (supports ISO 13849-1)

Optional components: Electromagnetic power-off brake, multiple connectors, temperature sensor, anti-corrosion coatings, encoders

Wheel bearing rated load capacity: Up to 2000 lbs [907kg]

Voltage: 24V to 48V VDC

Motor: Brushless DC

Lead exit: Adjustable based on mounting orientation

Output flange diameter: 4.5 in [115 mm]

Gearbox diameter: 5.3 in [135 mm]

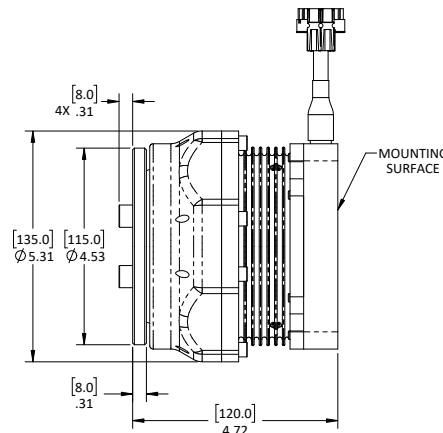
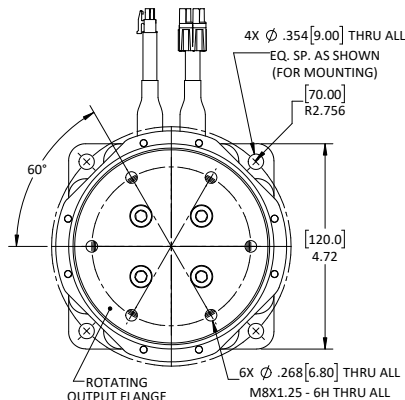
Gear set: Planetary

Reduction ratio: 20:1

PERFORMANCE EXAMPLES

| Low Power | | | |
|------------------|---------|-----------------|------------|
| | No Load | Peak Efficiency | Peak Power |
| Torque, Nm | 0 | 21 | 84 |
| Speed, rpm | 131 | 115 | 66 |
| Current, Amps | 4.9 | 14.9 | 44.9 |
| Power Out, Watts | 0 | 254 | 579 |
| Power In, Watts | 117 | 357 | 1078 |
| Efficiency, % | 0 | 71 | 54 |

| High Power | | | |
|------------------|---------|-----------------|------------|
| | No Load | Peak Efficiency | Peak Power |
| Torque, Nm | 0 | 35 | 139 |
| Speed, rpm | 330 | 289 | 165 |
| Current, Amps | 4.7 | 28.2 | 98.8 |
| Power Out, Watts | 0 | 1049 | 2397 |
| Power In, Watts | 224 | 1353 | 4741 |
| Efficiency, % | 0 | 78 | 51 |



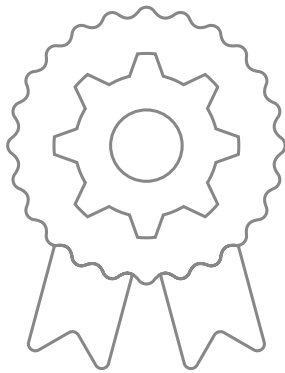
* - Variations to load distribution, duty cycle and application will affect load rating & bearing life.



RESULTS.
DRIVEN.

Lasting solutions to drive your machines. More than industrial designers and engineers, we're a team of passionate problem solvers. ASI Drives: Gear drive systems for battery powered machines up to one ton.

OUR CUSTOMERS HAVE BEEN WITH US FOR OVER **15 YEARS ON AVERAGE BECAUSE OF OUR:**



DEEP EXPERTISE:

Creating over 740 tailored engineered solutions

Offering cost sensitive designs with manufacturing efficiencies

A history of innovation recognized with 7 awarded patents

In-house gear manufacturing offers supply chain predictability



OUR 40-YEAR COMMITMENT:

Excellent customer service

"Best in class" partnership with OEM industry leaders

Our entrepreneurial size ensures personal executive level accountability and responsiveness



DEEP INDUSTRY KNOWLEDGE & FOCUS:

Insights and solutions to your specific challenges & opportunities

We know your competitive landscape

EXPERIENCE THE DIFFERENCE OUR DEDICATION TO INNOVATION, QUALITY AND SERVICE MAKES.

Contact us at sales@asidrives.com to explore how we can quickly solve your most pressing challenges.

