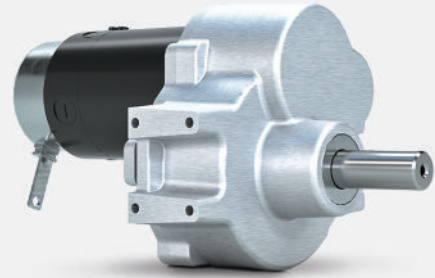


# STORM 500

Two-Stage Wheel Drive



Mobile Robots & AGVs



Medical Mobility



Material Handling



Outdoor Power Equipment

## FEATURES

**Sealed drive system:** Rugged, usable outdoors

**Optional components:** Electromagnetic power-off brake, encoders, connectors, brake cover, IP67 conformity

**Voltage:** 24V DC

**Motor:** Permanent magnet DC 4-pole, 3.97 in [101 mm], brushless DC option available

**Axle material:** Stainless steel or hardened carbon steel

**Axle diameter:** Up to 25 mm, hub available

**Gear set:** Two-stage helical

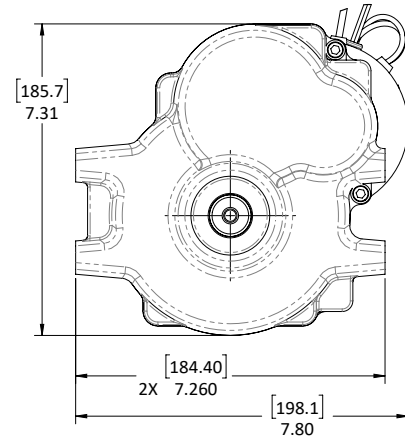
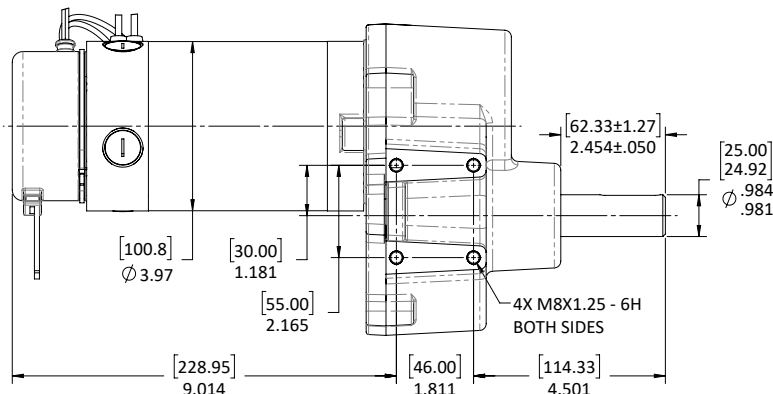
**Reduction ratio:** 25.4:1

**Brake options available:** 6 to 12 Nm

## PERFORMANCE EXAMPLES

High Speed			
	No Load	Peak Efficiency	Peak Power
Torque, Nm	0	39	128
Speed, rpm	183	156	92
Current, Amps	6.5	37.0	108.3
Power Out, Watts	0	628	1231
Power In, Watts	156	889	2599
Efficiency, %	0	71	47

High Power			
	No Load	Peak Efficiency	Peak Power
Torque, Nm	0	80	265
Speed, rpm	131	112	66
Current, Amps	7.6	49.4	147.1
Power Out, Watts	0	930	1824
Power In, Watts	182	1186	3529
Efficiency, %	0	78	52

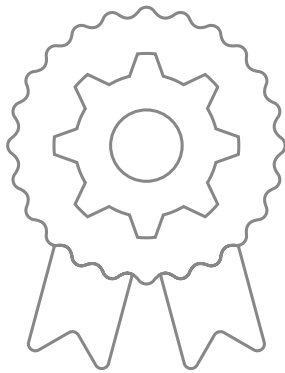




RESULTS.  
DRIVEN.

Lasting solutions to drive your machines. More than industrial designers and engineers, we're a team of passionate problem solvers. ASI Drives: Gear drive systems for battery powered machines up to one ton.

# OUR CUSTOMERS HAVE BEEN WITH US FOR OVER **15 YEARS ON AVERAGE BECAUSE OF OUR:**



## DEEP EXPERTISE:

Creating over 740 tailored engineered solutions

Offering cost sensitive designs with manufacturing efficiencies

A history of innovation recognized with 7 awarded patents

In-house gear manufacturing offers supply chain predictability

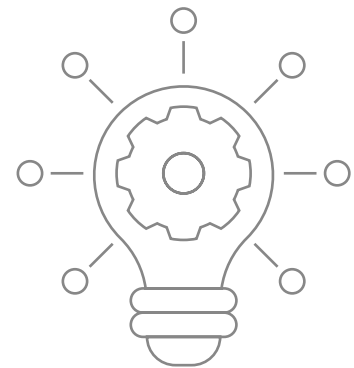


## OUR 40-YEAR COMMITMENT:

Excellent customer service

"Best in class" partnership with OEM industry leaders

Our entrepreneurial size ensures personal executive level accountability and responsiveness



## DEEP INDUSTRY KNOWLEDGE & FOCUS:

Insights and solutions to your specific challenges & opportunities

We know your competitive landscape

**EXPERIENCE THE DIFFERENCE OUR DEDICATION TO INNOVATION, QUALITY AND SERVICE MAKES.**

Contact us at [sales@asidrives.com](mailto:sales@asidrives.com) to explore how we can quickly solve your most pressing challenges.

