

THUNDER 1500

Heavy Duty Two-Stage Wheel Drive



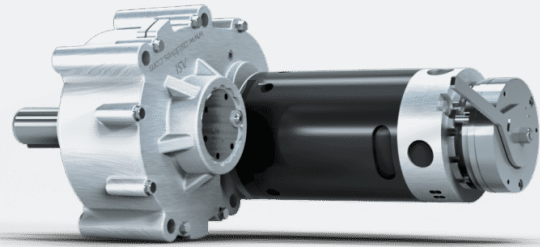
Mobile Robots
& AGVs



Material
Handling



Outdoor Power
Equipment



FEATURES

Sealed drive system: Rugged, usable outdoors

Optional components: Electromagnetic power-off brake, encoders, connectors, brake cover, IP67 conformity

Motors: Permanent magnet DC 4-pole, 4.8 in [122 mm] diameter, brushless DC and AC available up to 6.0 in [152 mm] diameter

Encoder options available: Digital position and motion information

Axle material: Hardened carbon steel

Gear set: Two-stage helical

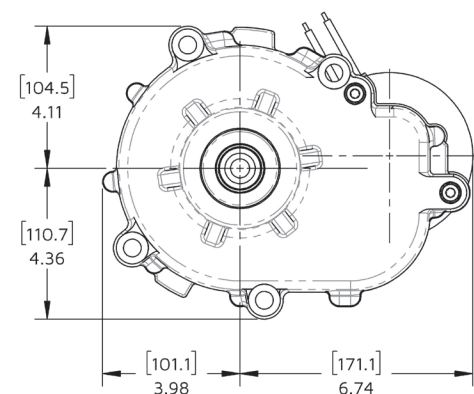
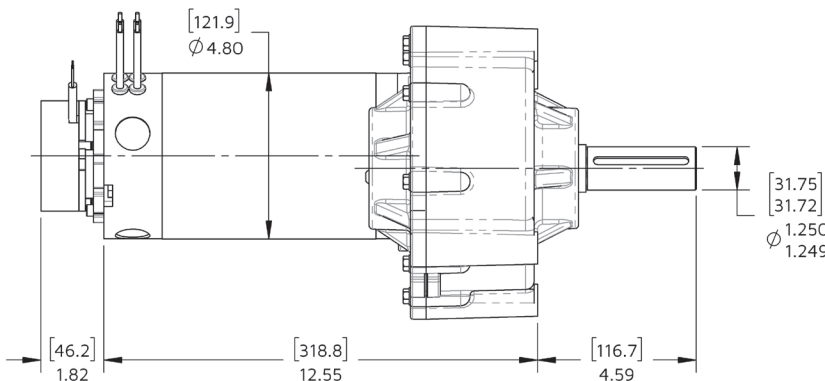
Reduction ratio: 31:1

Voltage: 24V to 48V DC

PERFORMANCE EXAMPLES

	Low Power		
	No Load	Peak Efficiency	Peak Power
Torque, Nm	0	90	361
Speed, rpm	118	103	59
Current, Amps	6.4	52.2	189.4
Power Out, Watts	0	974	2227
Power In, Watts	154	1252	4546
Efficiency, %	0	78	49

	High Power		
	No Load	Peak Efficiency	Peak Power
Torque, Nm	0	72	480
Speed, rpm	116	108	58
Current, Amps	1.9	20.9	128.6
Power Out, Watts	0	810	2919
Power In, Watts	91	1003	6173
Efficiency, %	0	81	47

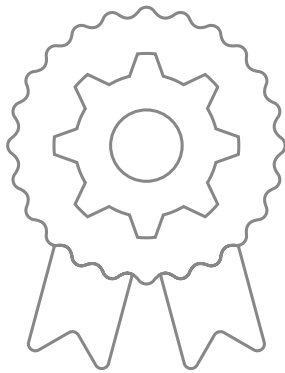




RESULTS.
DRIVEN.

Lasting solutions to drive your machines. More than industrial designers and engineers, we're a team of passionate problem solvers. ASI Drives: Gear drive systems for battery powered machines up to one ton.

OUR CUSTOMERS HAVE BEEN WITH US FOR OVER **15 YEARS ON AVERAGE BECAUSE OF OUR:**



DEEP EXPERTISE:

Creating over 740 tailored engineered solutions

Offering cost sensitive designs with manufacturing efficiencies

A history of innovation recognized with 7 awarded patents

In-house gear manufacturing offers supply chain predictability



OUR 40-YEAR COMMITMENT:

Excellent customer service

"Best in class" partnership with OEM industry leaders

Our entrepreneurial size ensures personal executive level accountability and responsiveness



DEEP INDUSTRY KNOWLEDGE & FOCUS:

Insights and solutions to your specific challenges & opportunities

We know your competitive landscape

EXPERIENCE THE DIFFERENCE OUR DEDICATION TO INNOVATION, QUALITY AND SERVICE MAKES.

Contact us at sales@asidrives.com to explore how we can quickly solve your most pressing challenges.

