

# LIGHTNING 200

Right Angle Wheel Drive



Material  
Handling



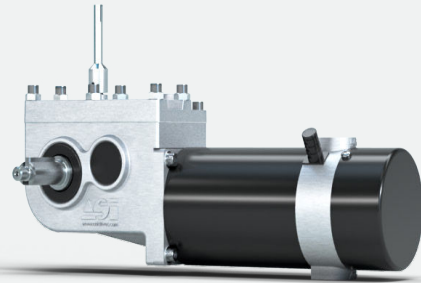
Mobile Robots  
& AGVs



Medical  
Mobility



Floor  
Care



## FEATURES

**Motors:** Permanent magnet DC 2-pole, 3.23 in (82 mm) diameter, and 4-pole, 3.98 in (101 mm) diameter, brushless DC option available

**Reduction ratio:** 32:1

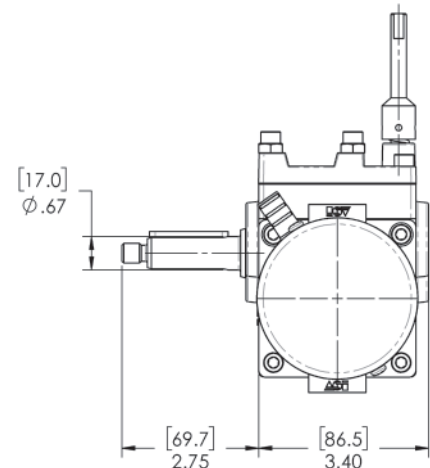
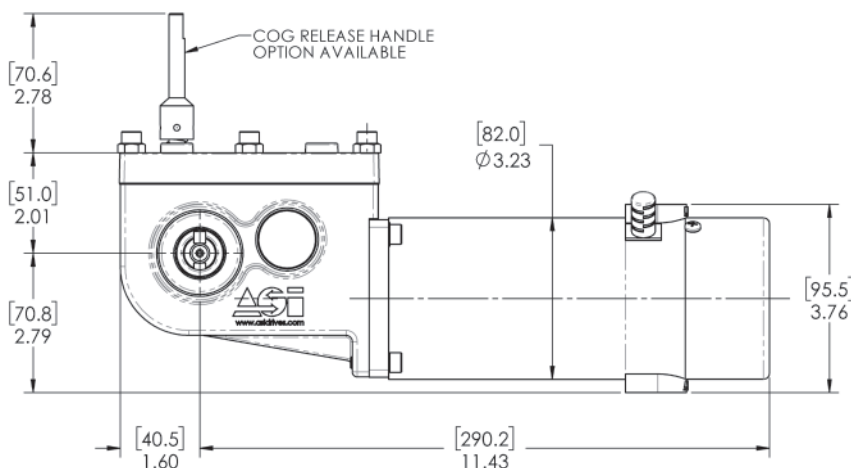
**Optional components:** Electromagnetic power-off brake, internal encoder, safety encoder, connectors, brake cover, IP67 conformity

**Encoder options available:** Digital position and motion information

## PERFORMANCE EXAMPLES

12V Option			
	No Load	Typical	High
<b>Torque, Nm</b>	0	15	45
<b>RPM</b>	64	56	33
<b>Current, Amps</b>	2.5	13.7	35.3
<b>Power Out, Watts</b>	0	88	156
<b>Power In, Watts</b>	30	164	424
<b>Efficiency</b>	0%	54%	37%

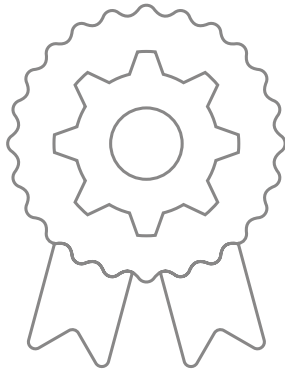
24V Option			
	No Load	Typical	High
<b>Torque, Nm</b>	0	30	90
<b>RPM</b>	135	112	65
<b>Current, Amps</b>	5.1	27.3	71.7
<b>Power Out, Watts</b>	0	352	611
<b>Power In, Watts</b>	122	655	1721
<b>Efficiency</b>	0%	54%	35%





Lasting solutions to drive your machines. More than industrial designers and engineers, we're a team of passionate problem solvers. ASI Drives: Gear drive systems for battery powered machines up to one ton.

# OUR CLIENTS HAVE BEEN WITH US FOR **OVER 14 YEARS BECAUSE OF OUR:**



## **DEEP EXPERTISE:**

Creating over 740 tailored engineered solutions

Offering cost sensitive designs with manufacturing efficiencies

A history of innovation recognized with 7 awarded patents

In-house gear manufacturing offers supply chain predictability



## **OUR 38-YEAR COMMITMENT:**

Excellent customer service

"Best in class" partnership with OEM industry leaders

Our entrepreneurial size ensures personal executive level accountability and responsiveness



## **DEEP INDUSTRY KNOWLEDGE & FOCUS:**

Insights and solutions to your specific challenges & opportunities

We know your competitive landscape

**EXPERIENCE THE DIFFERENCE OUR DEDICATION TO INNOVATION, QUALITY AND SERVICE MAKES.**

Contact us at [sales@asidrives.com](mailto:sales@asidrives.com) to explore how we can quickly solve your most pressing challenges.

