

MARK 400

Industry-Defining Fully Enclosed Transaxle



Floor
Care



Medical
Mobility



Material
Handling



Mobile
Robots
& AGVs



Outdoor Power
Equipment



FEATURES

Single-piece casting: Improved gear alignment; quiet operation

Reduction ratios: From 13:1 to 21:1

Fully enclosed axle: Mounting width flexibility

Optional components: Electromagnetic power-off brake, connectors, brake cover, IP67 conformity

Widths: 9.37 in (238 mm) to 19.32 in (491 mm); custom widths available

Motors: Permanent magnet DC 2-pole, 3.28 in (83.2 mm) diameter, or 4-pole, 3.98 in (101 mm) diameter, brushless DC option available

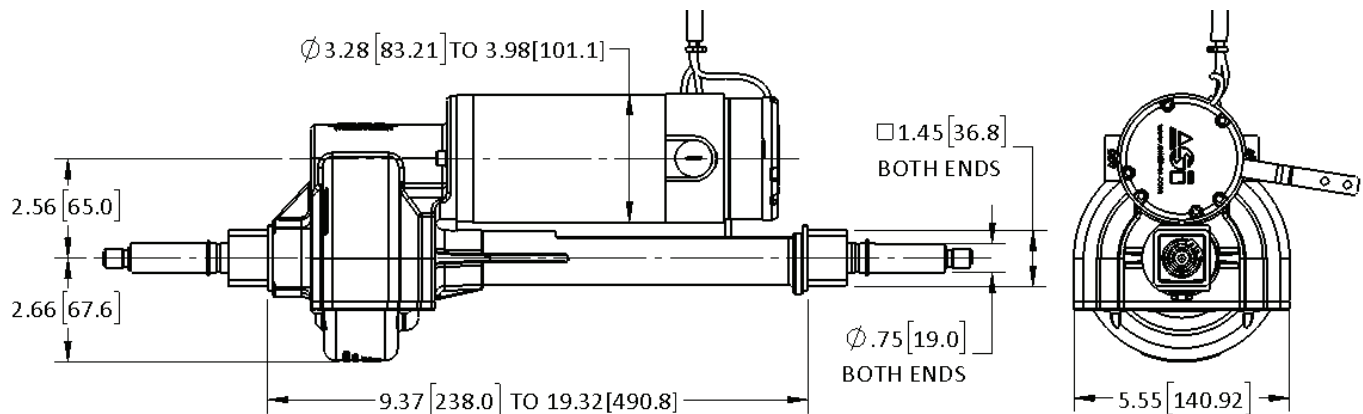
Voltage: 24V to 36V DC

Axle configurations: Custom

PERFORMANCE EXAMPLES

High Torque (4 inch – 21:1 @ 24V)			
	No Load	Typical	High
Torque, Nm	0.00	28.35	94.49
RPM	112	95	56
Current, Amps	2.0	16.0	48.6
Power Out, Watts	0	283	554
Power In, Watts	48	383	1165
Efficiency	0%	74%	48%

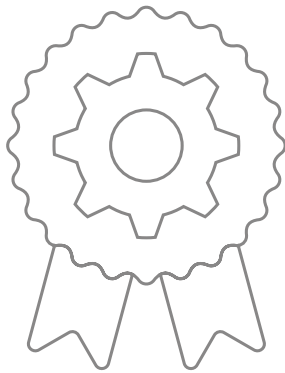
High Speed (3 inch – 18:1 @ 24V)			
	No Load	Typical	High
Torque, Nm	0.00	24.84	82.80
RPM	215	183	108
Current, Amps	1.9	25.6	81.0
Power Out, Watts	0	476	933
Power In, Watts	46	615	1945
Efficiency	0%	77%	48%





Lasting solutions to drive your machines. More than industrial designers and engineers, we're a team of passionate problem solvers. ASI Drives: Gear drive systems for battery powered machines up to one ton.

OUR CLIENTS HAVE BEEN WITH US FOR **OVER 14 YEARS BECAUSE OF OUR:**



DEEP EXPERTISE:

Creating over 740 tailored engineered solutions

Offering cost sensitive designs with manufacturing efficiencies

A history of innovation recognized with 7 awarded patents

In-house gear manufacturing offers supply chain predictability



OUR 38-YEAR COMMITMENT:

Excellent customer service

"Best in class" partnership with OEM industry leaders

Our entrepreneurial size ensures personal executive level accountability and responsiveness



DEEP INDUSTRY KNOWLEDGE & FOCUS:

Insights and solutions to your specific challenges & opportunities

We know your competitive landscape

EXPERIENCE THE DIFFERENCE OUR DEDICATION TO INNOVATION, QUALITY AND SERVICE MAKES.

Contact us at sales@asidrives.com to explore how we can quickly solve your most pressing challenges.

