

MARK 400

Industry-Defining Fully Enclosed Transaxle



Floor
Care



Medical
Mobility



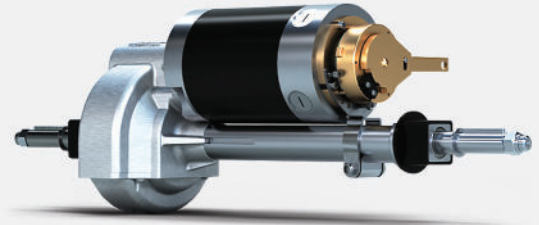
Material
Handling



Mobile
Robots
& AGVs



Outdoor Power
Equipment



FEATURES

Single-piece casting: Improved gear alignment, quiet operation

Reduction ratios: 13:1 to 21:1

Fully enclosed axle: Mounting width flexibility

Optional components: Electromagnetic power-off brake, connectors,
brake cover, IP67 conformity

Mounting widths: 9.37 in [237.9 mm] to 19.32 in [490.8 mm], custom widths available

Motors: Permanent magnet DC 2-pole, 3.28 in [83.2 mm] diameter, or 4-pole, 3.98 in [101 mm] diameter, brushless DC option available

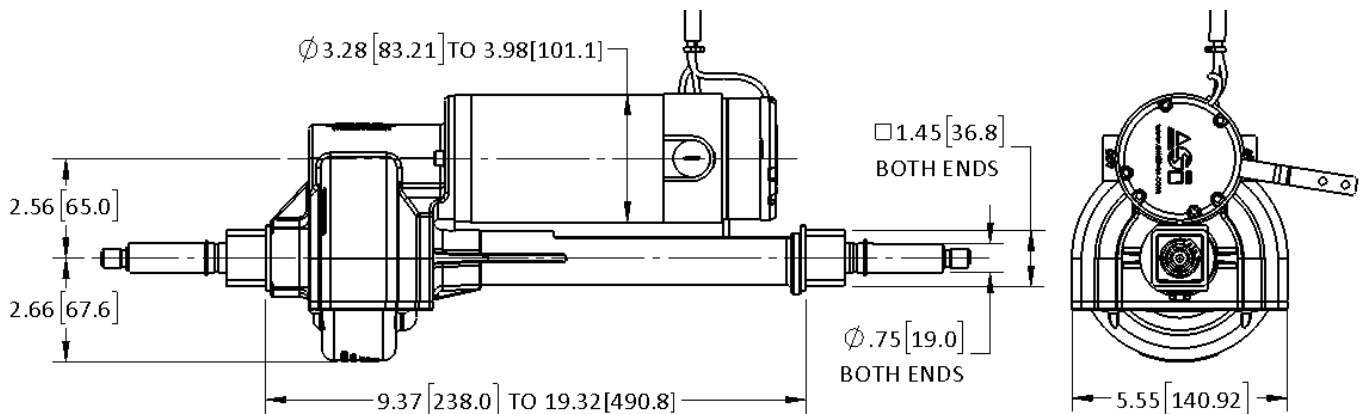
Voltage: 24V to 36V DC

Axle configurations: Custom

PERFORMANCE EXAMPLES

High Torque			
	No Load	Peak Efficiency	Peak Power
Torque, Nm	0	30	101
Speed, rpm	75	63	37
Current, Amps	2.0	12.2	35.9
Power Out, Watts	0	201	394
Power In, Watts	48	292	861
Efficiency, %	0	69	46

High Speed			
	No Load	Peak Efficiency	Peak Power
Torque, Nm	0	15	60
Speed, rpm	360	315	180
Current, Amps	3.6	29.5	107.4
Power Out, Watts	0	492	1125
Power In, Watts	85	708	2577
Efficiency, %	0	70	44

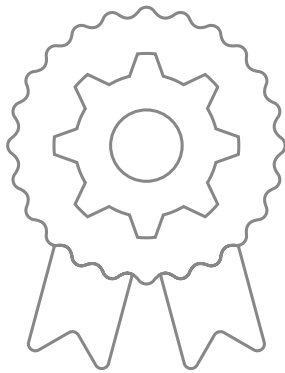




RESULTS.
DRIVEN.

Lasting solutions to drive your machines. More than industrial designers and engineers, we're a team of passionate problem solvers. ASI Drives: Gear drive systems for battery powered machines up to one ton.

OUR CUSTOMERS HAVE BEEN WITH US FOR OVER **15 YEARS ON AVERAGE BECAUSE OF OUR:**



DEEP EXPERTISE:

Creating over 740 tailored engineered solutions

Offering cost sensitive designs with manufacturing efficiencies

A history of innovation recognized with 7 awarded patents

In-house gear manufacturing offers supply chain predictability



OUR 40-YEAR COMMITMENT:

Excellent customer service

"Best in class" partnership with OEM industry leaders

Our entrepreneurial size ensures personal executive level accountability and responsiveness



DEEP INDUSTRY KNOWLEDGE & FOCUS:

Insights and solutions to your specific challenges & opportunities

We know your competitive landscape

EXPERIENCE THE DIFFERENCE OUR DEDICATION TO INNOVATION, QUALITY AND SERVICE MAKES.

Contact us at sales@asidrives.com to explore how we can quickly solve your most pressing challenges.

