

MARK 500

Heavy Duty Single-Stage Electric Transaxle



Floor Care



Medical Mobility



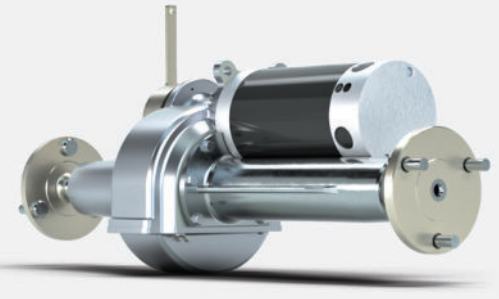
Material Handling



Mobile Robots & AGVs



Outdoor Power Equipment



FEATURES

Single-piece casting: Improved gear alignment; quiet operation

Reduction ratio: 19.2:1

Fully enclosed axle: Mounting width flexibility

Optional components: Electromagnetic power-off brake, connectors, brake cover, IP67 conformity

Widths: 22.35 in (567.7 mm); custom widths available

Motors: Permanent magnet DC 4-pole, 3.98 in (101 mm) diameter, brushless DC option available

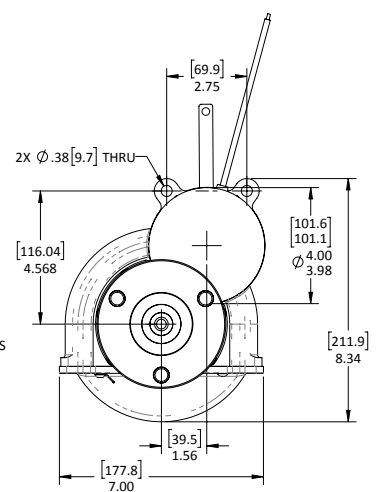
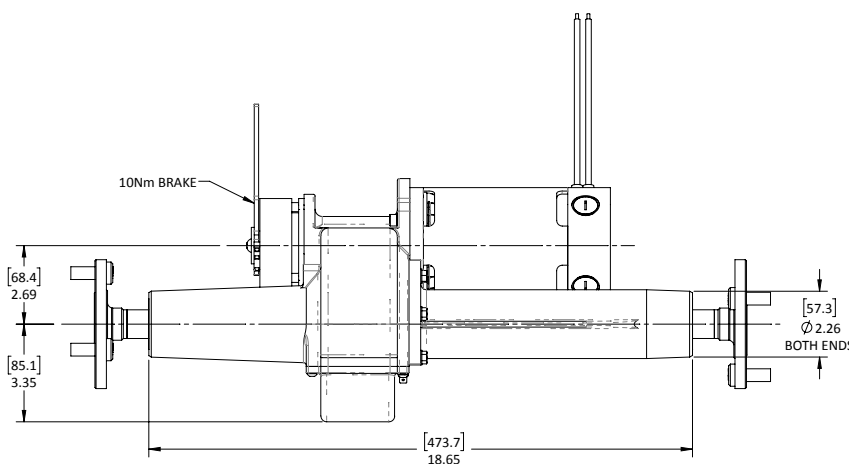
Voltage: 24V to 36V DC

Axle configurations: Hubs and custom

PERFORMANCE EXAMPLES

PMDC Motor (19.2:1 @ 24V)			
	No Load	Typical	High
Torque, Nm	0.0	29.5	118.2
RPM	116	102	58
Current, Amps	3.0	17.6	61.4
Power Out, Watts	0.0	314.9	719.7
Power In, Watts	71.1	421.8	1473.9
Efficiency	0.0%	74.7%	48.8%

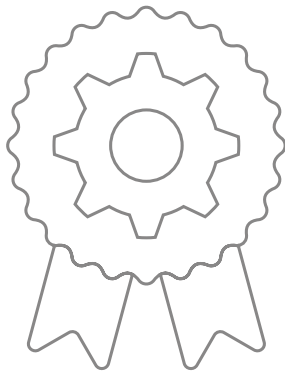
BLDC Motor (19.2:1 @ 24V)			
	No Load	Typical	High
Torque, Nm	0.0	40.5	162.0
RPM	191	167	95
Current, Amps	3.8	35.2	129.6
Power Out, Watts	0.0	707.2	1616.4
Power In, Watts	90.9	845.9	3110.6
Efficiency	0.0%	83.6%	52.0%





Lasting solutions to drive your machines. More than industrial designers and engineers, we're a team of passionate problem solvers. ASI Drives: Gear drive systems for battery powered machines up to one ton.

OUR CLIENTS HAVE BEEN WITH US FOR **OVER 14 YEARS BECAUSE OF OUR:**



DEEP EXPERTISE:

Creating over 740 tailored engineered solutions

Offering cost sensitive designs with manufacturing efficiencies

A history of innovation recognized with 7 awarded patents

In-house gear manufacturing offers supply chain predictability



OUR 38-YEAR COMMITMENT:

Excellent customer service

"Best in class" partnership with OEM industry leaders

Our entrepreneurial size ensures personal executive level accountability and responsiveness



DEEP INDUSTRY KNOWLEDGE & FOCUS:

Insights and solutions to your specific challenges & opportunities

We know your competitive landscape

EXPERIENCE THE DIFFERENCE OUR DEDICATION TO INNOVATION, QUALITY AND SERVICE MAKES.

Contact us at sales@asidrives.com to explore how we can quickly solve your most pressing challenges.

