

MARK 500

Heavy Duty Single-Stage Fully Enclosed Transaxle



Floor
Care



Medical
Mobility



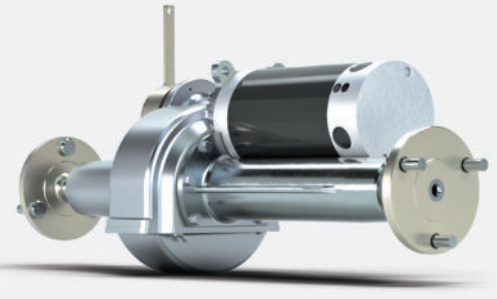
Material
Handling



Mobile
Robots
& AGVs



Outdoor Power
Equipment



FEATURES

Single-piece casting: Improved gear alignment, quiet operation

Reduction ratio: 19.2:1

Fully enclosed axle: Mounting width flexibility

Optional components: Electromagnetic power-off brake, connectors,
brake cover, IP67 conformity

Track width: 22.35 in [567.7 mm], custom widths
available

Motors: Permanent magnet DC 4-pole, 3.98 in
[101 mm] diameter, brushless DC option available

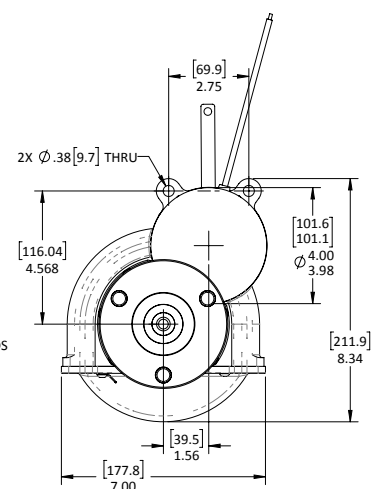
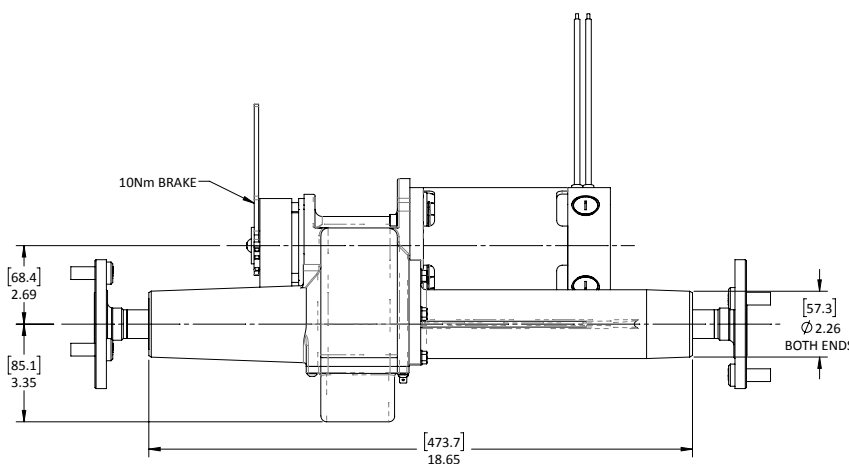
Voltage: 24V to 36V DC

Axle configurations: Hubs and custom

PERFORMANCE EXAMPLES

PMDC Motor			
	No Load	Peak Efficiency	Peak Power
Torque, Nm	0	31	154
Speed, rpm	120	108	60
Current, Amps	1.0	12.0	55.9
Power Out, Watts	0	348	967
Power In, Watts	36	431	2012
Efficiency, %	0	81	48

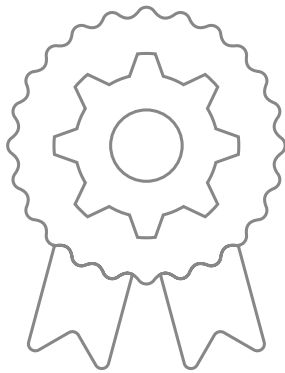
BLDC Motor			
	No Load	Peak Efficiency	Peak Power
Torque, Nm	0	31	155
Speed, rpm	191	172	96
Current, Amps	3.8	29.0	129.7
Power Out, Watts	0	560	1556
Power In, Watts	91	695	3112
Efficiency, %	0	81	50





Lasting solutions to drive your machines. More than industrial designers and engineers, we're a team of passionate problem solvers. ASI Drives: Gear drive systems for battery powered machines up to one ton.

OUR CUSTOMERS HAVE BEEN WITH US FOR OVER **15 YEARS ON AVERAGE BECAUSE OF OUR:**



DEEP EXPERTISE:

Creating over 740 tailored engineered solutions

Offering cost sensitive designs with manufacturing efficiencies

A history of innovation recognized with 7 awarded patents

In-house gear manufacturing offers supply chain predictability



OUR 40-YEAR COMMITMENT:

Excellent customer service

"Best in class" partnership with OEM industry leaders

Our entrepreneurial size ensures personal executive level accountability and responsiveness



DEEP INDUSTRY KNOWLEDGE & FOCUS:

Insights and solutions to your specific challenges & opportunities

We know your competitive landscape

EXPERIENCE THE DIFFERENCE OUR DEDICATION TO INNOVATION, QUALITY AND SERVICE MAKES.

Contact us at sales@asidrives.com to explore how we can quickly solve your most pressing challenges.

