

MARK 600

Heavy Duty Fully Enclosed Transaxle



Material
Handling



Outdoor Power
Equipment



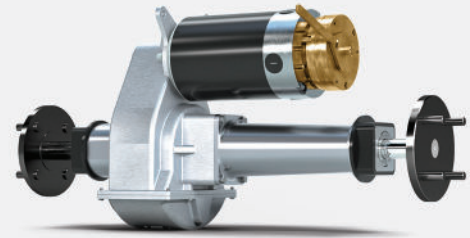
Floor
Care



Mobile
Robots
& AGVs



Medical
Mobility



FEATURES

Single-piece casting: Improved gear alignment; quiet operation

Reduction ratios: From 11.5:1 to 36:1

Fully enclosed axle: Mounting width flexibility

Optional components: Electromagnetic power-off brake, connectors, brake cover, IP67 conformity

Widths: 9.35 in (237 mm) to 23.45 in (596 mm);
custom widths available

Motors: Permanent magnet DC 4-pole, 4.8 in (122 mm) diameter,
brushless DC and AC available up to 6.0 in (152 mm) diameter

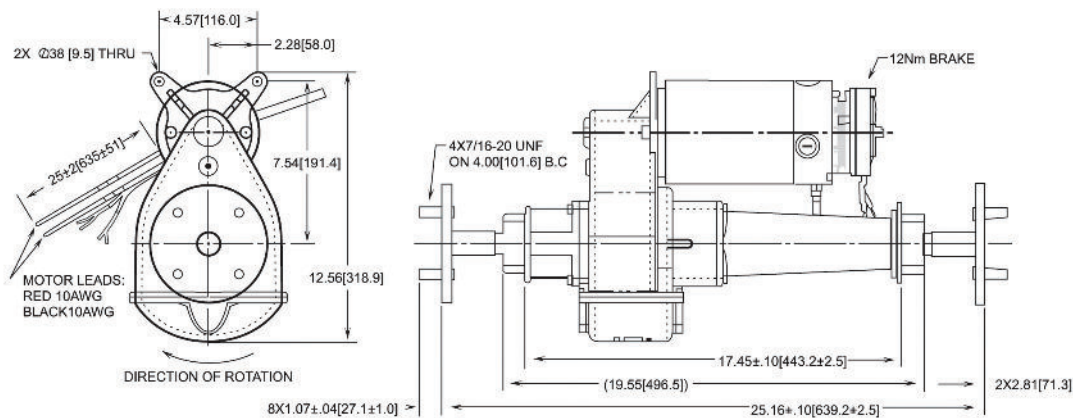
Voltage: 24V to 48V DC

Axle configurations: Hubs and custom

PERFORMANCE EXAMPLES

High Torque (36:1 @ 36V)			
	No Load	Typical	High
Torque, Nm	0	90	270
RPM	90	80	60
Current, Amps	4.7	31.9	86.4
Power Out, Watts	0	754	1684
Power In, Watts	169	1148	3110
Efficiency	0.0%	65.7%	54.2%

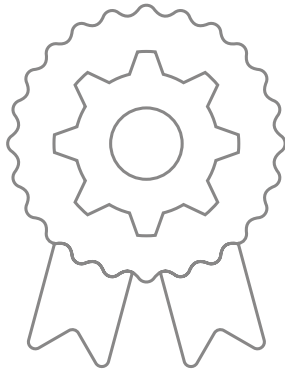
High Speed (11.5:1 @ 24V)			
	No Load	Typical	High
Torque, Nm	0	16	132
RPM	283	271	155
Current, Amps	5.6	28.5	193.9
Power Out, Watts	0	451	2125
Power In, Watts	134	685	4655
Efficiency	0.0%	65.8%	45.6%





Lasting solutions to drive your machines. More than industrial designers and engineers, we're a team of passionate problem solvers. ASI Drives: Gear drive systems for battery powered machines up to one ton.

OUR CLIENTS HAVE BEEN WITH US FOR **OVER 14 YEARS BECAUSE OF OUR:**



DEEP EXPERTISE:

Creating over 740 tailored engineered solutions

Offering cost sensitive designs with manufacturing efficiencies

A history of innovation recognized with 7 awarded patents

In-house gear manufacturing offers supply chain predictability



OUR 38-YEAR COMMITMENT:

Excellent customer service

"Best in class" partnership with OEM industry leaders

Our entrepreneurial size ensures personal executive level accountability and responsiveness



DEEP INDUSTRY KNOWLEDGE & FOCUS:

Insights and solutions to your specific challenges & opportunities

We know your competitive landscape

EXPERIENCE THE DIFFERENCE OUR DEDICATION TO INNOVATION, QUALITY AND SERVICE MAKES.

Contact us at sales@asidrives.com to explore how we can quickly solve your most pressing challenges.

