

# MARK 600

Heavy Duty Two-Stage Fully Enclosed Transaxle



Material Handling



Outdoor Power Equipment



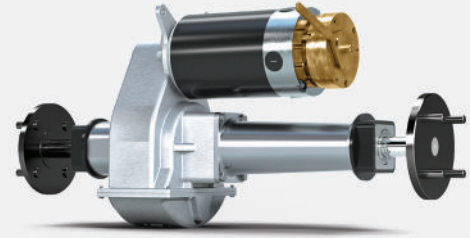
Floor Care



Mobile Robots & AGVs



Medical Mobility



## FEATURES

**Single-piece casting:** Improved gear alignment, quiet operation

**Reduction ratios:** 11.5:1 to 36:1

**Fully enclosed axle:** Mounting width flexibility

**Optional components:** Electromagnetic power-off brake, connectors, brake cover, IP67 conformity

**Mounting widths:** 9.33 in [236.9 mm] to 29.57 in [751.1 mm], custom widths available

**Motors:** Permanent magnet DC 4-pole, 4.8 in [122 mm] diameter, brushless DC and AC available up to 6.0 in [152 mm] diameter

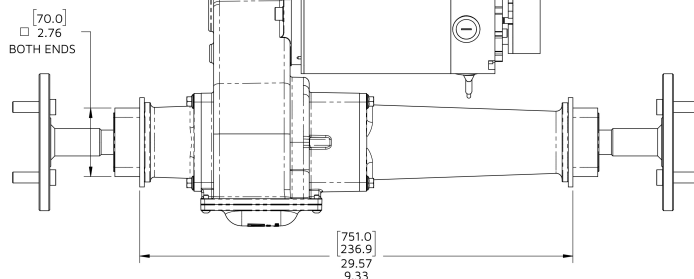
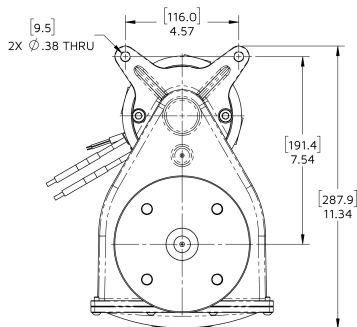
**Voltage:** 24V to 48V DC

**Axle configurations:** Hubs and custom

## PERFORMANCE EXAMPLES

High Torque			
	No Load	Peak Efficiency	Peak Power
Torque, Nm	0	100	399
Speed, rpm	90	79	45
Current, Amps	4.3	34.6	125.7
Power Out, Watts	0	823	1881
Power In, Watts	155	1247	4523
Efficiency, %	0	66	42

High Speed			
	No Load	Peak Efficiency	Peak Power
Torque, Nm	0	19	93
Speed, rpm	318	287	159
Current, Amps	3.8	29	129.7
Power Out, Watts	0	560	1556
Power In, Watts	91	695	3112
Efficiency, %	0	81	50

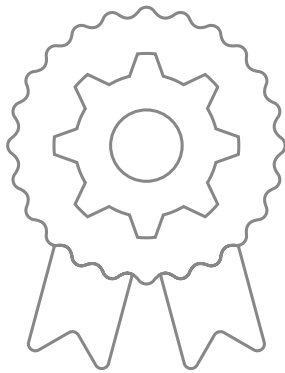




RESULTS.  
DRIVEN.

Lasting solutions to drive your machines. More than industrial designers and engineers, we're a team of passionate problem solvers. ASI Drives: Gear drive systems for battery powered machines up to one ton.

# OUR CUSTOMERS HAVE BEEN WITH US FOR OVER **15 YEARS ON AVERAGE BECAUSE OF OUR:**



## DEEP EXPERTISE:

Creating over 740 tailored engineered solutions

Offering cost sensitive designs with manufacturing efficiencies

A history of innovation recognized with 7 awarded patents

In-house gear manufacturing offers supply chain predictability



## OUR 40-YEAR COMMITMENT:

Excellent customer service

"Best in class" partnership with OEM industry leaders

Our entrepreneurial size ensures personal executive level accountability and responsiveness



## DEEP INDUSTRY KNOWLEDGE & FOCUS:

Insights and solutions to your specific challenges & opportunities

We know your competitive landscape

**EXPERIENCE THE DIFFERENCE OUR DEDICATION TO INNOVATION, QUALITY AND SERVICE MAKES.**

Contact us at [sales@asidrives.com](mailto:sales@asidrives.com) to explore how we can quickly solve your most pressing challenges.

