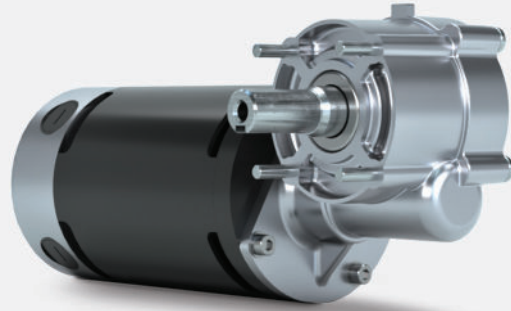


# SPRITE 200

Right Angle Geared Scrub Brush Motor



Floor  
Care



## FEATURES

**Single-piece casting:** Improved gear alignment; quiet operation

**Reduction ratio:** 10:1

**Voltage:** 24V to 36V DC

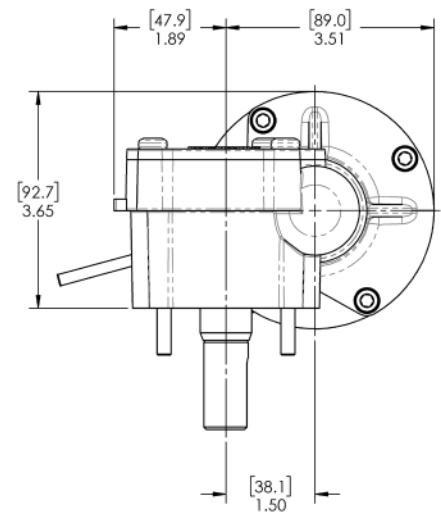
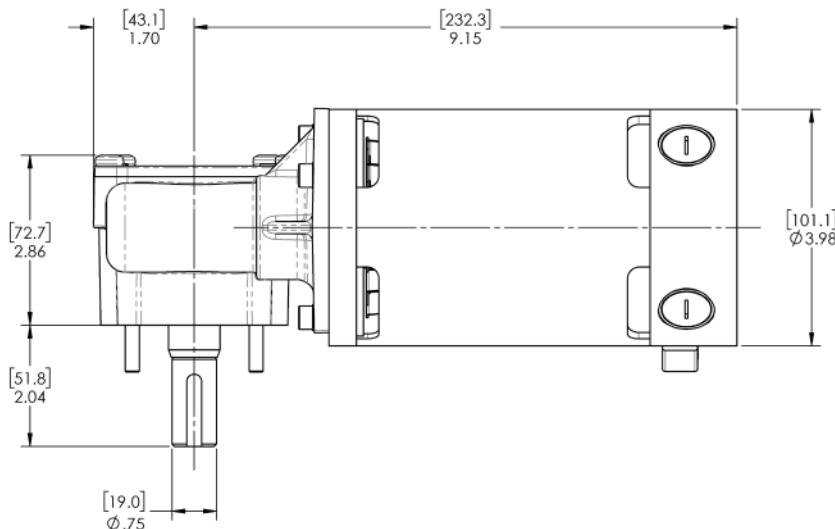
**Motors:** Permanent magnet DC 4-pole, 3.98 in (101 mm) diameter, Brushless DC option available

**Shaft configuration:** Custom up to 20 mm diameter

## PERFORMANCE EXAMPLES

10:1 @ 24V		
	No Load	1/2 HP
<b>Torque, Nm</b>	0.0	14.0
<b>RPM</b>	318	255
<b>Current, Amps</b>	3.0	23.5
<b>Power Out, Watts</b>	0	373
<b>Power In, Watts</b>	72	564
<b>Efficiency</b>	0%	66%

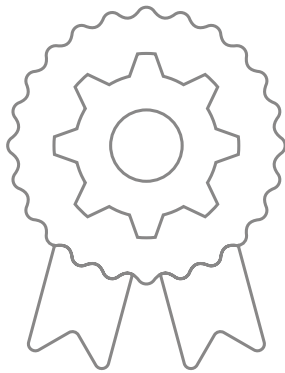
10:1 @ 36V			
	No Load	1/2 HP	5/8 HP
<b>Torque, Nm</b>	0.0	12.0	15.6
<b>RPM</b>	320	296	285
<b>Current, Amps</b>	2.0	15.3	19.3
<b>Power Out, Watts</b>	0	373	466
<b>Power In, Watts</b>	72	552	696
<b>Efficiency</b>	0%	68%	67%





Lasting solutions to drive your machines. More than industrial designers and engineers, we're a team of passionate problem solvers. ASI Drives: Gear drive systems for battery powered machines up to one ton.

# OUR CLIENTS HAVE BEEN WITH US FOR **OVER 14 YEARS BECAUSE OF OUR:**



## **DEEP EXPERTISE:**

Creating over 740 tailored engineered solutions

Offering cost sensitive designs with manufacturing efficiencies

A history of innovation recognized with 7 awarded patents

In-house gear manufacturing offers supply chain predictability



## **OUR 38-YEAR COMMITMENT:**

Excellent customer service

"Best in class" partnership with OEM industry leaders

Our entrepreneurial size ensures personal executive level accountability and responsiveness



## **DEEP INDUSTRY KNOWLEDGE & FOCUS:**

Insights and solutions to your specific challenges & opportunities

We know your competitive landscape

**EXPERIENCE THE DIFFERENCE OUR DEDICATION TO INNOVATION, QUALITY AND SERVICE MAKES.**

Contact us at [sales@asidrives.com](mailto:sales@asidrives.com) to explore how we can quickly solve your most pressing challenges.

