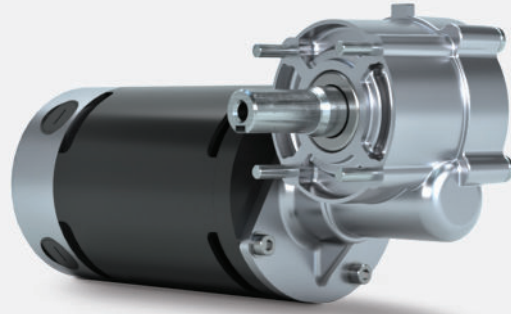


SPRITE 200

Right Angle Geared Scrub Brush Motor



Floor
Care



FEATURES

Single-piece casting: Improved gear alignment, quiet operation

Reduction ratio: 10:1

Voltage: 24V to 36V DC

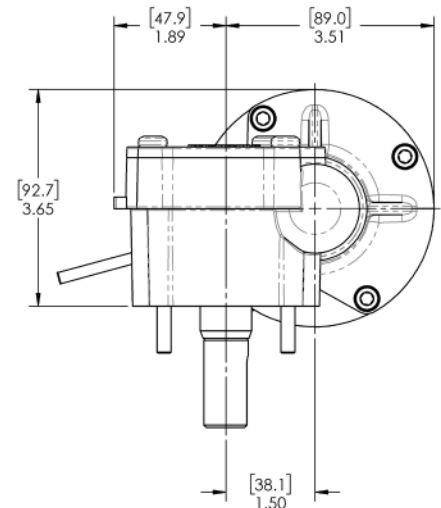
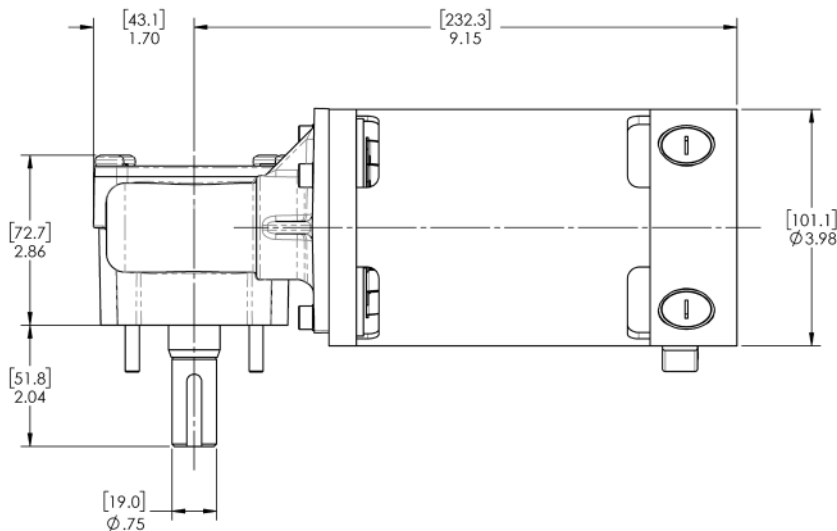
Motors: Permanent magnet DC 4-pole, 3.98 in [101 mm] diameter, brushless DC option available

Shaft configuration: Custom up to .79 in [20 mm] diameter

PERFORMANCE EXAMPLES

	Low Power	
	No Load	1/2 HP
Torque, Nm	0	14
Speed, rpm	318	255
Current, Amps	3.0	23.5
Power Out, Watts	0	373
Power In, Watts	72	564
Efficiency, %	0	66

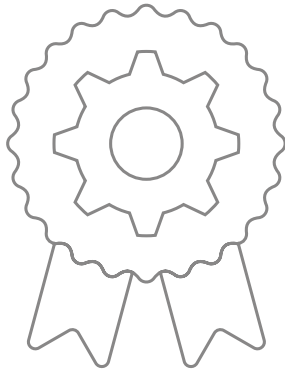
	High Power	
	No Load	5/8 HP
Torque, Nm	0	16
Speed, rpm	320	285
Current, Amps	2.0	19.3
Power Out, Watts	0	466
Power In, Watts	72	696
Efficiency, %	0	67





Lasting solutions to drive your machines. More than industrial designers and engineers, we're a team of passionate problem solvers. ASI Drives: Gear drive systems for battery powered machines up to one ton.

OUR CUSTOMERS HAVE BEEN WITH US FOR OVER **15 YEARS ON AVERAGE BECAUSE OF OUR:**



DEEP EXPERTISE:

Creating over 740 tailored engineered solutions

Offering cost sensitive designs with manufacturing efficiencies

A history of innovation recognized with 7 awarded patents

In-house gear manufacturing offers supply chain predictability



OUR 40-YEAR COMMITMENT:

Excellent customer service

"Best in class" partnership with OEM industry leaders

Our entrepreneurial size ensures personal executive level accountability and responsiveness



DEEP INDUSTRY KNOWLEDGE & FOCUS:

Insights and solutions to your specific challenges & opportunities

We know your competitive landscape

EXPERIENCE THE DIFFERENCE OUR DEDICATION TO INNOVATION, QUALITY AND SERVICE MAKES.

Contact us at sales@asidrives.com to explore how we can quickly solve your most pressing challenges.

