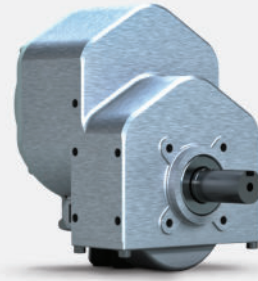


STORM 400

Brushless Wheel Drive



Mobile
Robots
& AGVs



FEATURES

Sealed drive system: Rugged; usable outdoors

Optional components: Electromagnetic power-off brake, internal encoder, safety encoder, connectors, brake cover, IP67 conformity

Encoder options available: Shaft and axle encoders available

Voltage: 24V DC

Motor: Brushless DC

Lead Exit: 3 location options and 2 directions available

Axle Material: Stainless steel or hardened carbon steel

Axle Diameter: Up to 20 mm

Gear: Single stage helical

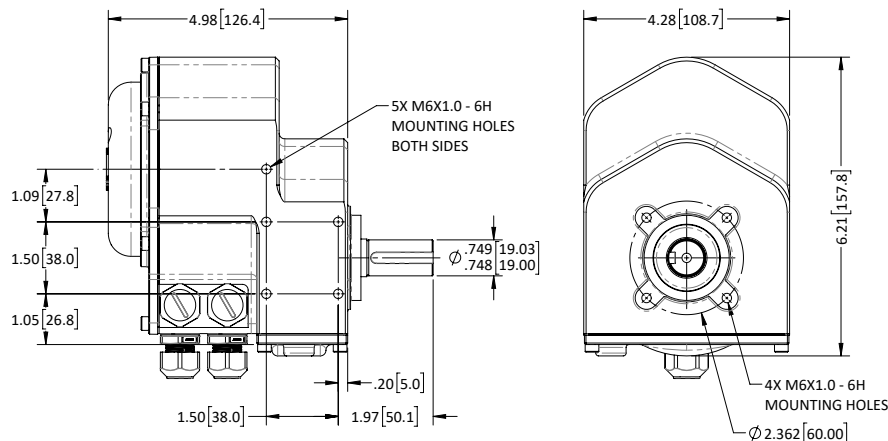
Reduction ratio: 12.2:1 or 25.3:1

Brake options available: 6 Nm, release lever

PERFORMANCE EXAMPLES

	Low Speed		
	No Load	Typical	High
Torque, Nm	0	24.9	95.3
RPM	120	104	60
Current, Amps	2.4	16.0	54.5
Power Out, Watts	0	270	596
Power In, Watts	58	384	1308
Efficiency	0%	70%	46%

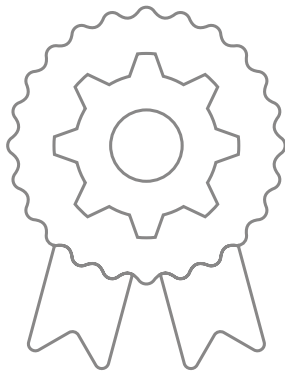
	High Speed		
	No Load	Typical	High
Torque, Nm	0	12.0	46.0
RPM	248	216	124
Current, Amps	2.4	16.0	54.5
Power Out, Watts	0	271	599
Power In, Watts	58	384	1308
Efficiency	0%	71%	46%





Lasting solutions to drive your machines. More than industrial designers and engineers, we're a team of passionate problem solvers. ASI Drives: Gear drive systems for battery powered machines up to one ton.

OUR CLIENTS HAVE BEEN WITH US FOR **OVER 14 YEARS BECAUSE OF OUR:**



DEEP EXPERTISE:

Creating over 740 tailored engineered solutions

Offering cost sensitive designs with manufacturing efficiencies

A history of innovation recognized with 7 awarded patents

In-house gear manufacturing offers supply chain predictability



OUR 38-YEAR COMMITMENT:

Excellent customer service

"Best in class" partnership with OEM industry leaders

Our entrepreneurial size ensures personal executive level accountability and responsiveness



DEEP INDUSTRY KNOWLEDGE & FOCUS:

Insights and solutions to your specific challenges & opportunities

We know your competitive landscape

EXPERIENCE THE DIFFERENCE OUR DEDICATION TO INNOVATION, QUALITY AND SERVICE MAKES.

Contact us at sales@asidrives.com to explore how we can quickly solve your most pressing challenges.

