

STORM 500

Wheel Drive



Mobile
Robots
& AGVs



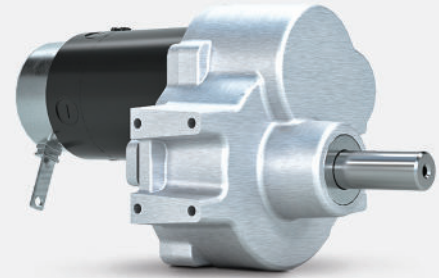
Medical
Mobility



Material
Handling



Outdoor Power
Equipment



FEATURES

Sealed drive system: Rugged; usable outdoors

Optional components: Electromagnetic power-off brake, internal encoder, safety encoder, connectors, brake cover, IP67 conformity

Voltage: 24V DC

Motor: Permanent magnet DC, brushless option

Axle Material: Stainless steel or hardened carbon steel

Axle Diameter: Up to 25 mm

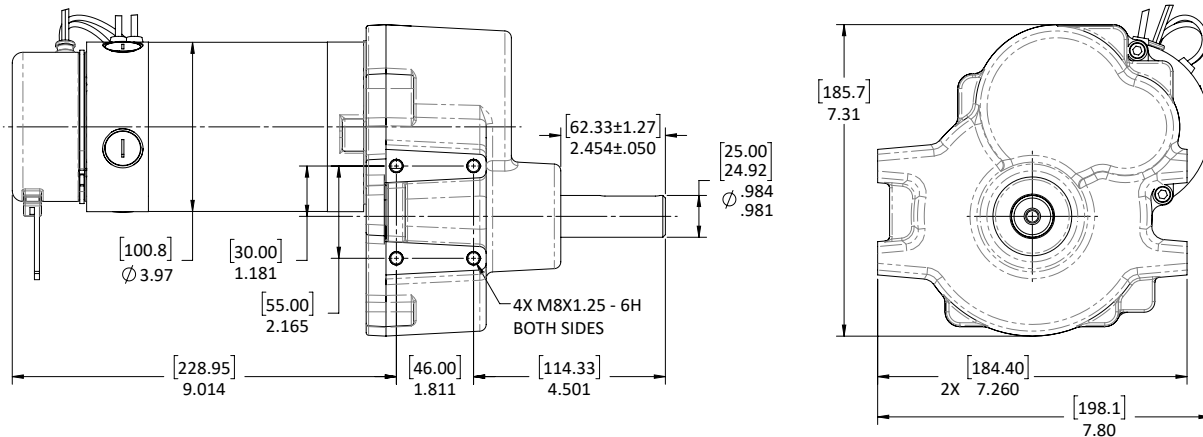
Gear: Two stage helical

Reduction ratio: 25:1

Brake options available: 6 Nm, release lever

PERFORMANCE EXAMPLE

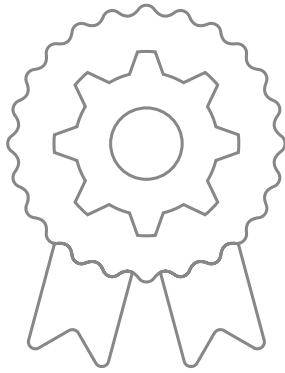
PMDC Motor (25:1 @ 24V)			
	No Load	Typical	High
Torque, Nm	0	26	130
RPM	186	167	93
Current, Amps	3.5	26.0	116.0
Power Out, Watts	0	455	1263
Power In, Watts	84	624	2785
Efficiency	0%	73%	45%





Lasting solutions to drive your machines. More than industrial designers and engineers, we're a team of passionate problem solvers. ASI Drives: Gear drive systems for battery powered machines up to one ton.

OUR CLIENTS HAVE BEEN WITH US FOR **OVER 14 YEARS BECAUSE OF OUR:**



DEEP EXPERTISE:

Creating over 740 tailored engineered solutions

Offering cost sensitive designs with manufacturing efficiencies

A history of innovation recognized with 7 awarded patents

In-house gear manufacturing offers supply chain predictability



OUR 38-YEAR COMMITMENT:

Excellent customer service

"Best in class" partnership with OEM industry leaders

Our entrepreneurial size ensures personal executive level accountability and responsiveness



DEEP INDUSTRY KNOWLEDGE & FOCUS:

Insights and solutions to your specific challenges & opportunities

We know your competitive landscape

EXPERIENCE THE DIFFERENCE OUR DEDICATION TO INNOVATION, QUALITY AND SERVICE MAKES.

Contact us at sales@asidrives.com to explore how we can quickly solve your most pressing challenges.

