

THUNDER 1500

Heavy Duty Dual Stage Wheel Drive



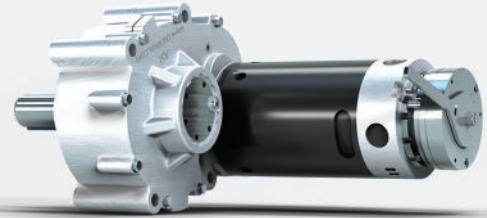
Material
Handling



Mobile Robots
& AGVs



Outdoor Power
Equipment



FEATURES

Sealed drive system: Rugged; usable outdoors

Optional components: Electromagnetic power-off brake, internal encoder, safety encoder, connectors, brake cover, IP67 conformity

Motors: Permanent magnet DC 4-pole, 4.8 in (122 mm) diameter, brushless DC and AC available up to 6.0 in (152 mm) diameter

Encoder options available: Digital position and motion information

Axle Material: Hardened carbon steel

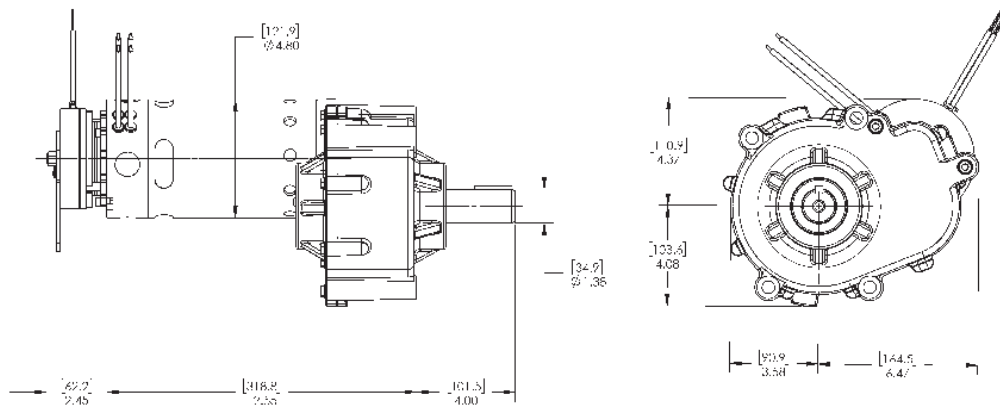
Gear: Dual stage helical

Reduction ratio: 31:1

Voltage: 12V to 48V DC

PERFORMANCE EXAMPLES

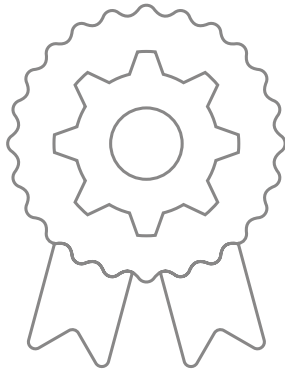
	Low speed (24V Option)			High Speed (24V Option)			36V Option		
	No Load	Typical	High	No Load	Typical	High	No Load	Typical	High
Torque, Nm	0	101	430	0	97	385	0	90	290
RPM	74	65	37	109	95	54	114	97	57
Current, Amps	5.5	40.0	152.8	8.4	58.2	206.2	6.3	37.5	106.7
Power Out, Watts	0	691	1660	0	967	2194	0	912	1745
Power In, Watts	132	961	3667	202	1398	4949	227	1349	3843
Efficiency	0%	72%	45%	0%	69%	44%	0%	68%	45%





Lasting solutions to drive your machines. More than industrial designers and engineers, we're a team of passionate problem solvers. ASI Drives: Gear drive systems for battery powered machines up to one ton.

OUR CLIENTS HAVE BEEN WITH US FOR **OVER 14 YEARS BECAUSE OF OUR:**



DEEP EXPERTISE:

Creating over 740 tailored engineered solutions

Offering cost sensitive designs with manufacturing efficiencies

A history of innovation recognized with 7 awarded patents

In-house gear manufacturing offers supply chain predictability



OUR 38-YEAR COMMITMENT:

Excellent customer service

"Best in class" partnership with OEM industry leaders

Our entrepreneurial size ensures personal executive level accountability and responsiveness



DEEP INDUSTRY KNOWLEDGE & FOCUS:

Insights and solutions to your specific challenges & opportunities

We know your competitive landscape

EXPERIENCE THE DIFFERENCE OUR DEDICATION TO INNOVATION, QUALITY AND SERVICE MAKES.

Contact us at sales@asidrives.com to explore how we can quickly solve your most pressing challenges.

