

ZEUS

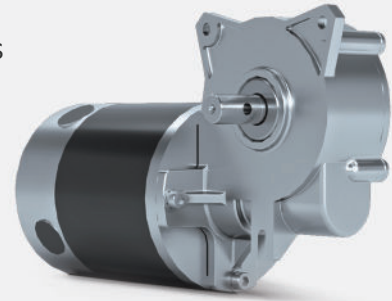
Geared Scrub Brush Motor / Right Angle Worm Drive for Stair Lifts



Floor
Care



Stair
Lift



FEATURES

Motors: Permanent magnet DC 4-pole, 3.98 in (101 mm) diameter, brushless DC option

Voltage: 24V to 36V DC

Output shaft: Hardened carbon steel

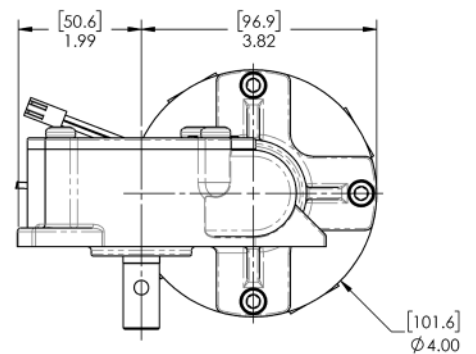
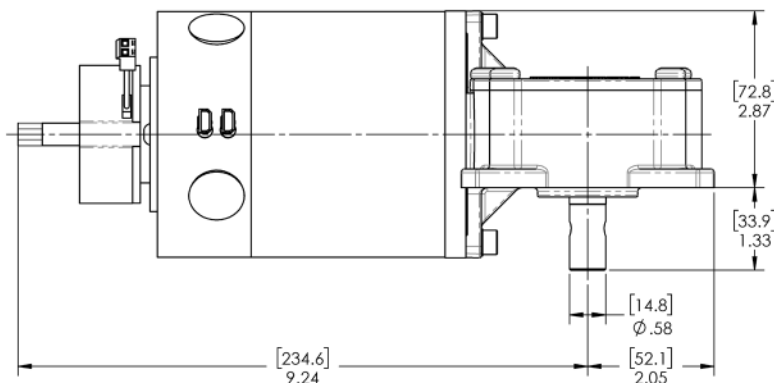
Optional components: Electromagnetic power-off brake, internal encoder

Reduction ratios: 14:1, 19:1, 21:1, and 37:1

PERFORMANCE EXAMPLES

Gear Scrub Brush Motor (14:1 @ 24V)			
	No Load	Typical	High
Torque, Nm	0.0	7.5	10.0
RPM	214	190	181
Current, Amps	2.0	13.5	17.3
Power Out, Watts	0	150	190
Power In, Watts	48	323	414
Efficiency	0%	46%	46%

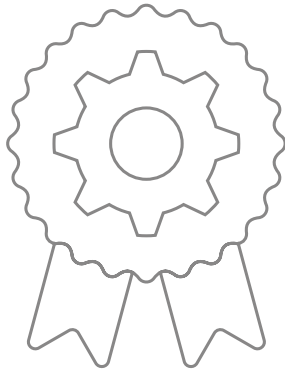
Stair Lift Drive (37:1 @ 24V)			
	No Load	Typical	High
Torque, Nm	0	10	20
RPM	82	76	71
Current, Amps	3.0	8.6	14.4
Power Out, Watts	0	80	149
Power In, Watts	72	207	347
Efficiency	0%	39%	43%





Lasting solutions to drive your machines. More than industrial designers and engineers, we're a team of passionate problem solvers. ASI Drives: Gear drive systems for battery powered machines up to one ton.

OUR CLIENTS HAVE BEEN WITH US FOR **OVER 14 YEARS BECAUSE OF OUR:**



DEEP EXPERTISE:

Creating over 740 tailored engineered solutions

Offering cost sensitive designs with manufacturing efficiencies

A history of innovation recognized with 7 awarded patents

In-house gear manufacturing offers supply chain predictability

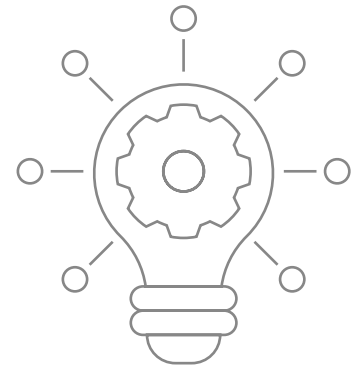


OUR 38-YEAR COMMITMENT:

Excellent customer service

"Best in class" partnership with OEM industry leaders

Our entrepreneurial size ensures personal executive level accountability and responsiveness



DEEP INDUSTRY KNOWLEDGE & FOCUS:

Insights and solutions to your specific challenges & opportunities

We know your competitive landscape

EXPERIENCE THE DIFFERENCE OUR DEDICATION TO INNOVATION, QUALITY AND SERVICE MAKES.

Contact us at sales@asidrives.com to explore how we can quickly solve your most pressing challenges.

