

# ZEUS

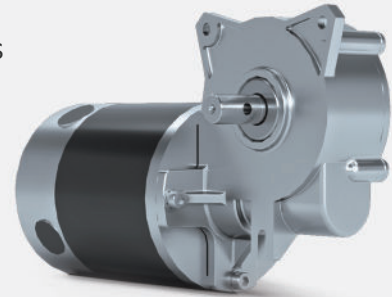
Geared Scrub Brush Motor / Right Angle Worm Drive for Stair Lifts



Floor Care



Stair Lift



## FEATURES

**Motors:** Permanent magnet DC 4-pole, 3.98 in [101 mm] diameter, brushless DC option

**Voltage:** 24V to 36V DC

**Output shaft:** Hardened carbon steel

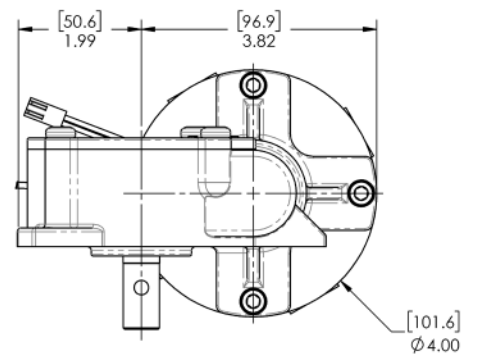
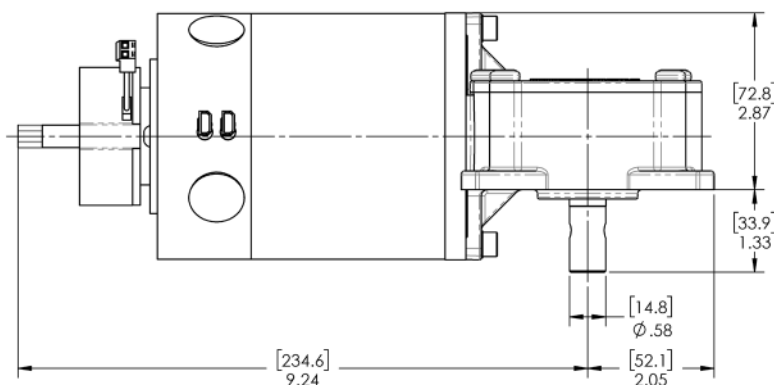
**Optional components:** Electromagnetic power-off brake, encoder

**Reduction ratios:** 14:1 to 37:1

## PERFORMANCE EXAMPLES

Gear Scrub Brush Motor			
	No Load	Peak Efficiency	Peak Power
Torque, Nm	0	8	43
Speed, rpm	214	196	107
Current, Amps	2.0	10.6	51.0
Power Out, Watts	0	154	480
Power In, Watts	48	254	1224
Efficiency, %	0	60	39

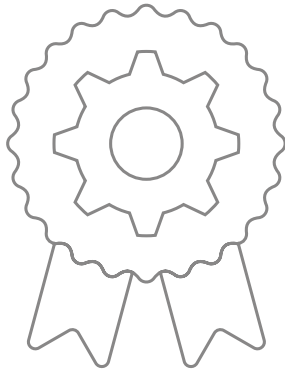
Stair Lift Drive			
	No Load	Peak Efficiency	Peak Power
Torque, Nm	0	10	120
Speed, rpm	124	118	60
Current, Amps	0.6	7.0	77.7
Power Out, Watts	0	124	750
Power In, Watts	22	253	2797
Efficiency, %	0	49	27





Lasting solutions to drive your machines. More than industrial designers and engineers, we're a team of passionate problem solvers. ASI Drives: Gear drive systems for battery powered machines up to one ton.

# OUR CUSTOMERS HAVE BEEN WITH US FOR OVER **15 YEARS ON AVERAGE BECAUSE OF OUR:**



## **DEEP EXPERTISE:**

Creating over 740 tailored engineered solutions

Offering cost sensitive designs with manufacturing efficiencies

A history of innovation recognized with 7 awarded patents

In-house gear manufacturing offers supply chain predictability



## **OUR 40-YEAR COMMITMENT:**

Excellent customer service

"Best in class" partnership with OEM industry leaders

Our entrepreneurial size ensures personal executive level accountability and responsiveness



## **DEEP INDUSTRY KNOWLEDGE & FOCUS:**

Insights and solutions to your specific challenges & opportunities

We know your competitive landscape

**EXPERIENCE THE DIFFERENCE OUR DEDICATION TO INNOVATION, QUALITY AND SERVICE MAKES.**

Contact us at [sales@asidrives.com](mailto:sales@asidrives.com) to explore how we can quickly solve your most pressing challenges.

