

SD500

Geared Scrub Brush Motor



Floor
Care



FEATURES

Single-piece casting: Improved gear alignment; quiet operation

Reduction ratios: From 8:1 to 13:1

Construction: All ball bearing; high efficiency

Voltage: 24V to 36V DC

Shaft configuration: Custom up to 24 mm diameter

Motors: Permanent magnet DC 4-pole, 4.8 in (122 mm) diameter, Brushless DC option available

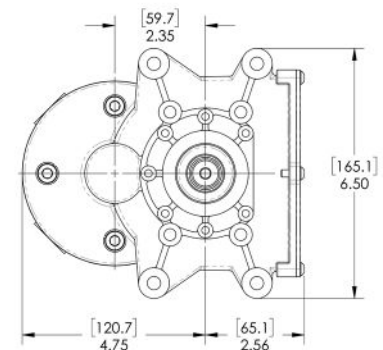
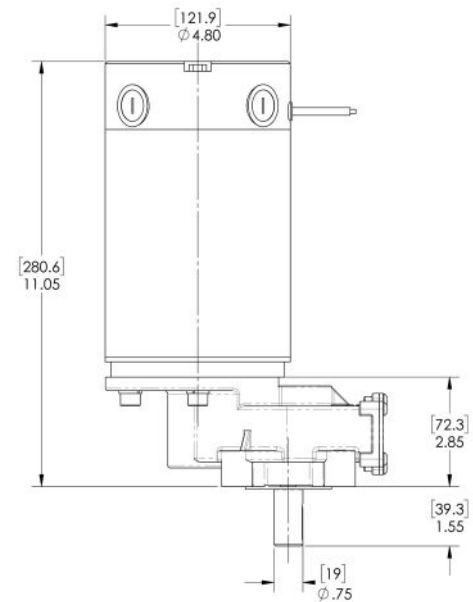
Mounting options: Multiple mounting options including US-Type, Euro-Type, and 4 additional through-hole options for bolts, nuts or cap screws

PERFORMANCE EXAMPLE

9:1 @ 24V				
	No Load	1/2 HP	3/4 HP	1 HP
Torque, Nm	0.0	11.0	17.3	24.3
RPM	350	324	309	293
Current, Amps	5.0	23.3	33.7	45.4
Power Out, Watts	0	373	560	746
Power In, Watts	120	558	809	1090
Efficiency	0%	67%	69%	68%

11:1 @ 24V				
	No Load	1/2 HP	3/4 HP	1 HP
Torque, Nm	0.0	13.0	20.5	28.8
RPM	295	274	261	247
Current, Amps	5	23.3	33.7	45.4
Power Out, Watts	0	373	560	746
Power In, Watts	120	558	809	1090
Efficiency	0%	67%	69%	68%

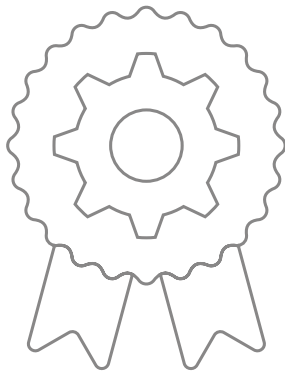
13:1 @ 24V				
	No Load	1/2 HP	3/4 HP	1 HP
Torque, Nm	0.0	15.8	24.9	35.1
RPM	242	225	214	203
Current, Amps	5.0	23.3	33.7	45.4
Power Out, Watts	0	373	560	746
Power In, Watts	120	558	809	1090
Efficiency	0%	67%	69%	68%





Lasting solutions to drive your machines. More than industrial designers and engineers, we're a team of passionate problem solvers. ASI Drives: Gear drive systems for battery powered machines up to one ton.

OUR CLIENTS HAVE BEEN WITH US FOR **OVER 14 YEARS BECAUSE OF OUR:**



DEEP EXPERTISE:

Creating over 740 tailored engineered solutions

Offering cost sensitive designs with manufacturing efficiencies

A history of innovation recognized with 7 awarded patents

In-house gear manufacturing offers supply chain predictability

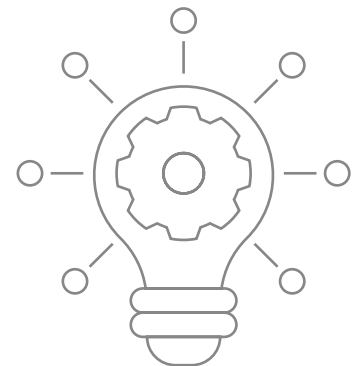


OUR 38-YEAR COMMITMENT:

Excellent customer service

"Best in class" partnership with OEM industry leaders

Our entrepreneurial size ensures personal executive level accountability and responsiveness



DEEP INDUSTRY KNOWLEDGE & FOCUS:

Insights and solutions to your specific challenges & opportunities

We know your competitive landscape

EXPERIENCE THE DIFFERENCE OUR DEDICATION TO INNOVATION, QUALITY AND SERVICE MAKES.

Contact us at sales@asidrives.com to explore how we can quickly solve your most pressing challenges.

