

# SD500

Geared Scrub Brush Motor



Floor  
Care



## FEATURES

**Single-piece casting:** Improved gear alignment, quiet operation

**Reduction ratios:** 8:1 to 13:1

**Construction:** All ball bearing, high efficiency

**Voltage:** 24V to 36V DC

**Shaft configuration:** Custom up to .94 in [24 in mm] diameter

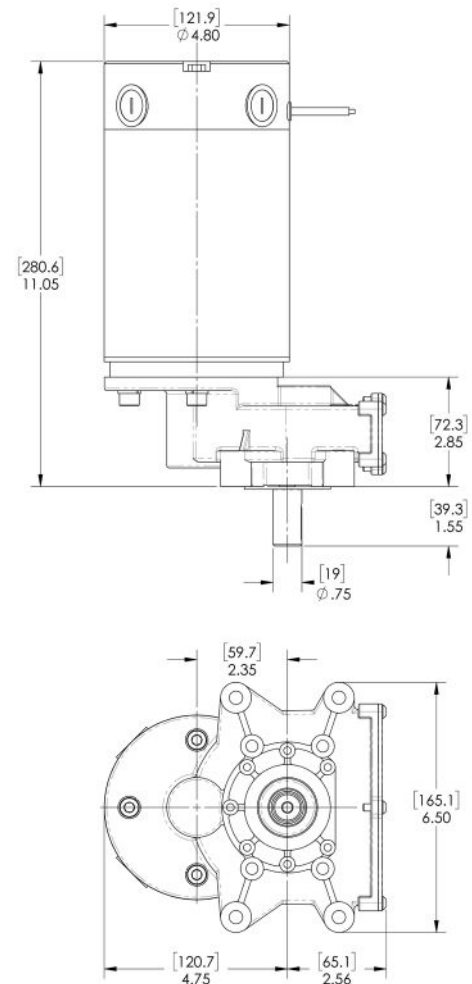
**Motors:** Permanent magnet DC 4-pole, 4.8 in [122 mm] diameter, brushless DC option available

**Mounting options:** Multiple mounting options including US-type, Euro-type, and 4 additional through-hole options for bolts, nuts or cap screws

## PERFORMANCE EXAMPLES

High Power				
	No Load	3/4 HP	1 HP	1 1/2 HP
Torque, Nm	0	13	18	28
Speed, rpm	437	411	401	381
Current, Amps	3.0	21.2	27.8	42.2
Power Out, Watts	0	560	746	1119
Power In, Watts	108	763	1001	1520
Efficiency, %	0	73	75	74

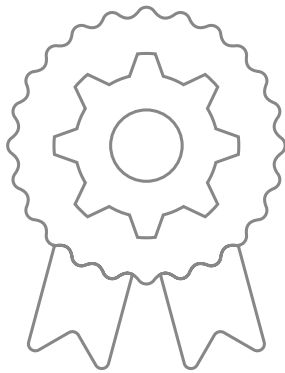
Low Speed				
	No Load	1/2 HP	3/4 HP	1 HP
Torque, Nm	0	16	25	35
Speed, rpm	242	225	214	203
Current, Amps	5.0	23.3	33.7	45.4
Power Out, Watts	0	373	560	746
Power In, Watts	120	558	809	1090
Efficiency, %	0	67	69	68





Lasting solutions to drive your machines. More than industrial designers and engineers, we're a team of passionate problem solvers. ASI Drives: Gear drive systems for battery powered machines up to one ton.

# OUR CUSTOMERS HAVE BEEN WITH US FOR OVER **15 YEARS ON AVERAGE BECAUSE OF OUR:**



## **DEEP EXPERTISE:**

Creating over 740 tailored engineered solutions

Offering cost sensitive designs with manufacturing efficiencies

A history of innovation recognized with 7 awarded patents

In-house gear manufacturing offers supply chain predictability



## **OUR 40-YEAR COMMITMENT:**

Excellent customer service

"Best in class" partnership with OEM industry leaders

Our entrepreneurial size ensures personal executive level accountability and responsiveness



## **DEEP INDUSTRY KNOWLEDGE & FOCUS:**

Insights and solutions to your specific challenges & opportunities

We know your competitive landscape

**EXPERIENCE THE DIFFERENCE OUR DEDICATION TO INNOVATION, QUALITY AND SERVICE MAKES.**

Contact us at [sales@asidrives.com](mailto:sales@asidrives.com) to explore how we can quickly solve your most pressing challenges.

